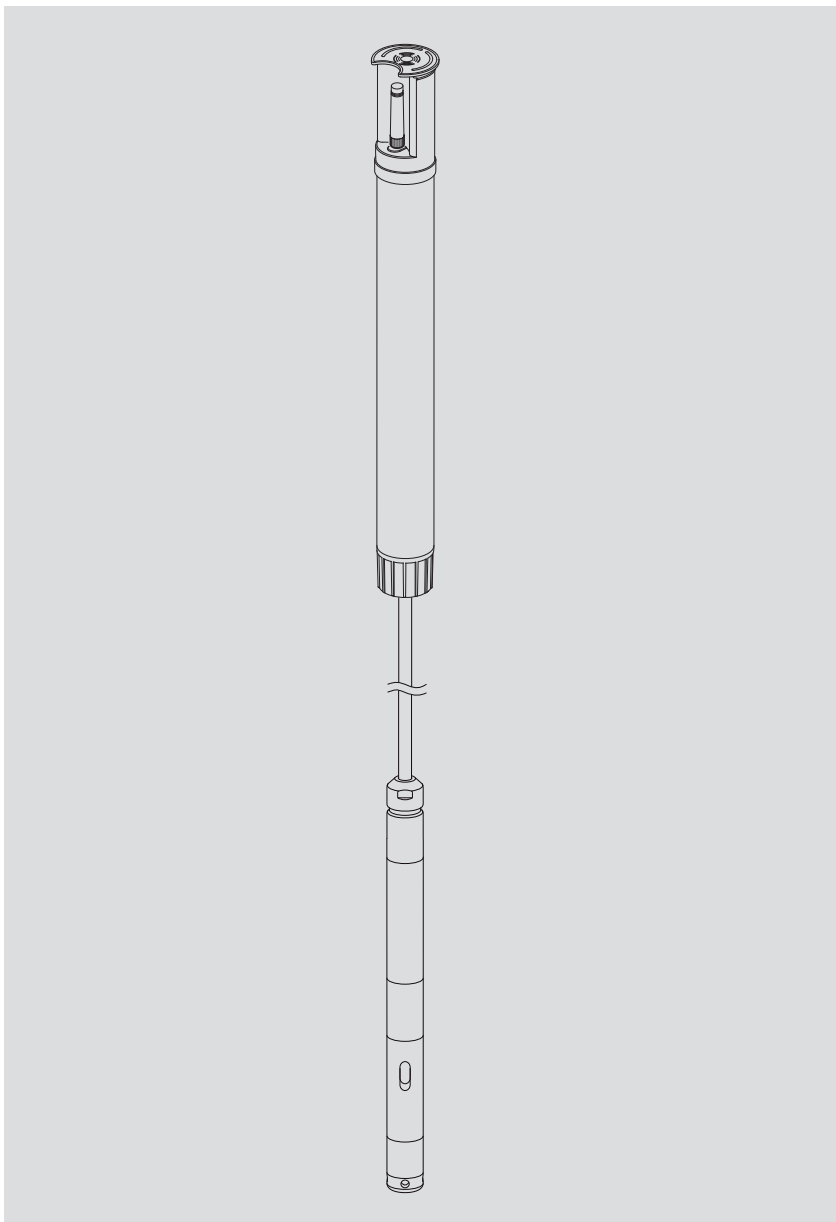




Operating instructions  
**Groundwater Datalogger**  
**OTT ecoLog 800**  
**OTT ecoLog 800 3G**



English

These operating instructions describe the groundwater datalogger

- ▶ OTT ecoLog 800
- ▶ OTT ecoLog 800 3G

The following naming conventions are used to distinguish between the different device variants within the description:

- OTT ecoLog 800 (3G) → applies to both device variants
- OTT ecoLog 800 → applies to OTT ecoLog 800 only
- OTT ecoLog 800 3G → applies to OTT ecoLog 800 3G only

These operating instructions (version "04-1016") cover the OTT ecoLog 800 (3G) software versions

- ▶ OTT ecoLog 800 firmware: **V 2.00.1 and later**
- ▶ OTT ecoLog 800 3G firmware: **V 1.00.0 and later**
- ▶ OTT Water Logger Operating Program: **V 1.70.0 and later**

The OTT ecoLog 800 (3G) firmware can be found in the "Advanced operation" mode, "OTT ecoLog 800 (3G)" window of the operating program. The version of the operating program can be found via the "Info" function in the "Help" menu.

We reserve the right to make technical changes and improvements without notice.

## Table of contents

<b>1</b>	<b>Scope of supply</b>	<b>5</b>
<b>2</b>	<b>Order numbers</b>	<b>5</b>
<b>3</b>	<b>Basic safety information</b>	<b>7</b>
<b>4</b>	<b>Introduction</b>	<b>8</b>
<b>5</b>	<b>Installing, checking, and replacing batteries</b>	<b>10</b>
	5.1 Power supply using lithium batteries	12
	5.2 Power supply using alkaline batteries (OTT ecoLog 800)	15
<b>6</b>	<b>Inserting a SIM card</b>	<b>17</b>
<b>7</b>	<b>If required: Connecting an external radio antenna</b>	<b>18</b>
<b>8</b>	<b>Installing the OTT ecoLog 800 (3G) unit</b>	<b>19</b>
	8.1 Installing the unit into 2" observation wells, top cap with cut-out	20
	8.2 Installing the unit into 3", 4" or 6" observation wells, top cap with cut-out for adapter plate	21
	8.3 Installing the unit into observation wells of 3" in diameter and above, top cap without cut-out for adapter plate	23
	8.4 Installing the unit into observation wells of 3" in diameter and above, without top cap, universal installation	25
<b>9</b>	<b>Setting OTT ecoLog 800 (3G) operating parameters</b>	<b>26</b>
	9.1 Installing the OTT Water Logger Operating Program	26
	9.2 Establishing the PC/OTT ecoLog 800 (3G) communication link (on site)	26
	9.3 Establishing the communication link from remote (OTT ecoLog 800)	27
	9.4 Setting OTT ecoLog 800 (3G) operating parameters	28
	9.5 Saving/loading an OTT ecoLog 800 (3G) configuration	32
	9.6 Importing/exporting an OTT ecoLog 800 (3G) configuration	32
<b>10</b>	<b>Determining and displaying instantaneous values (Observer function)</b>	<b>34</b>
<b>11</b>	<b>Reading data</b>	<b>36</b>
<b>12</b>	<b>Exporting data</b>	<b>37</b>
<b>13</b>	<b>Displaying data</b>	<b>38</b>
<b>14</b>	<b>Protecting the OTT ecoLog 800 (3G) unit and the OTT Water Logger Operating Program using a password</b>	<b>39</b>
<b>15</b>	<b>Setting date and time</b>	<b>41</b>
<b>16</b>	<b>Erasing the data memory</b>	<b>42</b>
<b>17</b>	<b>Updating the OTT ecoLog 800 (3G) firmware</b>	<b>42</b>
<b>18</b>	<b>Maintenance work</b>	<b>43</b>
	18.1 Cleaning the pressure probe	43
	18.2 Replacing the desiccant capsules	44
	18.3 Checking/replacing the batteries	45
	18.4 Calibrating the conductivity sensor	45

<b>19 Error messages</b>	<b>47</b>
<b>20 Troubleshooting/remedy</b>	<b>47</b>
<b>21 Repair</b>	<b>49</b>
<b>22 Notes about the disposal of old units</b>	<b>49</b>
<b>23 Technical data</b>	<b>50</b>
<b>Appendix A – Note on Declaration of Conformity</b>	<b>53</b>

## 1 Scope of supply

- ▶ **OTT ecoLog 800**
  - 1 groundwater datalogger consisting of a communication unit with built-in GSM/GPRS cellular modem, pressure probe cable with pressure compensation capillary and Kevlar core for longitudinal stabilization, 2 desiccant capsules; pressure probe with integrated conductivity sensor and datalogger
  - 1 lithium battery, DD type (26 Ah); or 1 lithium battery, D type (13 Ah); or 2 alkaline batteries (1.5 V), LR14 · AM-2 · MN 1400 · C type, incl. battery holder;
  - 1 operating instructions
  - 1 factory acceptance test (FAT) certificate
  
- ▶ **OTT ecoLog 800 3G**
  - 1 groundwater datalogger consisting of a communication unit with built-in GSM/GPRS/UMTS/HSPA+ cellular modem, pressure probe cable with pressure compensation capillary and Kevlar core for longitudinal stabilization, 2 desiccant capsules; pressure probe with integrated conductivity sensor and datalogger
  - 1 lithium battery, DD type (26 Ah); or 1 lithium battery, D type (13 Ah);
  - 1 operating instructions
  - 1 factory acceptance test (FAT) certificate

## 2 Order numbers

- ▶ **OTT ecoLog 800**
  - Groundwater datalogger**
  - incl. lithium battery, DD type (26 Ah) 55.447.001.9.0
  - incl. lithium battery, D type (13 Ah) 55.447.002.9.0
  - incl. 2 x 1.5 V alkaline type (C cell) 55.447.005.9.0
  
- ▶ **OTT ecoLog 800 3G**
  - Groundwater datalogger**
  - incl. lithium battery, DD type (26 Ah) 55.449.001.9.0
  - incl. lithium battery, D type (13 Ah) 55.449.002.9.0

Required ordering information

  - Measuring range: 0 ... 4 / 10 / 20 / 40 / 100 m
  - System length: 2 ... 200 m (±1 % ±5 cm)
  
- ▶ **Accessories <sup>1)</sup>**
  - Adapter plates**
  - for OTT top caps with cut-out
  - 3" 55.446.022.9.2
  - 4" 55.446.023.9.2
  - 4,5" 55.446.024.9.2
  - 5" 55.446.225.9.2
  - 6" 55.446.026.9.2
  
  - Universal suspension bracket** 55.446.021.9.2
  - for top caps from 3" upwards, without cut-out as well as for universal installation
  
  - "OTT Water Logger Software CD-ROM"** 56.572.002.9.7
  - OTT Water Logger Operating Program for PC, and OTT ecoLog 800 (3G) operating instructions (PDF file)
  
  - External radio antenna**
  - cable length: 0.5 m 97.980.062.9.5
  - cable length: 1.0 m 97.980.061.9.5
  - cable length: 1.5 m 97.980.060.9.5
  
  - 5-sided key** 20.250.095.4.1
  - for locking OTT top caps
  
  - Optical OTT DuoLink reading head** 55.520.017.4.2
  
  - Optical reading head OTT IrDA link USB** 55.520.026.9.2
  
  - Calibration container** 55.445.025.9.2

<sup>1)</sup> Additional accessories – e.g. plastic top caps, top caps with external or internal radio antenna on request.

► **Spare parts/  
Consumables**

<b>Lithium battery, DD type (26 Ah)</b>	97.800.011.9.5
<b>Lithium battery, D type (13 Ah)</b>	97.800.009.9.5
<b>Battery holder <sup>1)</sup> for</b> 2 alkaline batteries (1.5 V), batteries not included	55.446.020.9.2
<b>Alkaline batteries <sup>1)</sup>, 2x</b> LR14 · AM-2 · MN 1400 · C type	96.800.003.9.5
<b>Desiccant capsules</b> 2x in one aluminum bag	97.100.296.9.5
<b>Conductivity calibration solution</b>	
– 0,1 mS/cm; 1000 ml	55.495.350.9.5
– 0,5 mS/cm; 946 ml	55.495.351.9.5
– 1,412 mS/cm; 1000 ml	55.495.352.9.5
– 12,856 mS/cm; 946 ml	55.495.353.9.5
– 47,6 mS/cm; 1000 ml	55.495.354.9.5

<sup>1)</sup> for OTT ecoLog 800 (not usable for OTT ecoLog 800 3G)

### 3 Basic safety information



- ▶ Read these operating instructions before using the OTT ecoLog 800 (3G) for the first time! Become completely familiar with the installation and operation of the OTT ecoLog 800 (3G) and its accessories! Keep these operating instructions for later reference.
- ▶ The OTT ecoLog 800 (3G) is designed to measure groundwater levels, the water temperature and the specific conductivity of the groundwater and to transmit these measured values through a GSM cellular network. Only use the OTT ecoLog 800 (3G) as described in these operating instructions! For further information → refer to Chapter 4, "Introduction".
- ▶ Please note all safety and warning information given within the individual work steps. All safety and warning information given in these operating instructions are marked by the following adjacent warning signals:
  - **Black warning triangle** → warning of potential damage to the unit, reduced functionality and particularly noteworthy points.
  - **Black warning triangle with yellow background** → there is a health hazard! Detailed information on the hazard including information on how to prevent the hazard and possible consequences of non-observance.
- ▶ Ensure the electrical, mechanical, and climatic specifications listed in the technical data are adhered to. For further information → refer to Chapter 23, "Technical data".
- ▶ When operating the OTT ecoLog 800 (3G), keep a minimum distance of 0.2 metres between radio antennae and
  - people, as well as
  - other electrical equipment/antennae
- ▶ Handle the pressure probe cable with care. Do not kink the cable or pull it across sharp edges!
- ▶ Do not make any changes or retrofits to the OTT ecoLog 800 (3G)! If changes or retrofits are made, all guarantee claims are voided.
- ▶ Have a faulty OTT ecoLog 800 (3G) inspected and repaired by our repair center. On no account carry out repairs yourself! For further information → refer to Chapter 21, "Repair".
- ▶ After putting the unit out of service, properly dispose of the OTT ecoLog 800 (3G). On no account put the OTT ecoLog 800 (3G) into the normal domestic waste. For further information → refer to Chapter 22, "Note about the disposal of used units".



#### CAUTION

#### **Risk of burns! Hot device surface at higher ambient temperatures!**

The metal parts of OTT ecoLog 800 (3G) device surface can get very hot at higher ambient temperatures<sup>1)</sup>. This may lead to burns.

Use protection gloves during installation and maintenance at higher ambient temperatures<sup>1)</sup>!

<sup>1)</sup> > approx. 60 °C / 140 °F

#### **Federal Communications Commission (FCC) Approval**

Note: This equipment has been tested and found to comply with the limits for a Class A digital device, pursuant to part 15 of the FCC Rules. These limits are designed to provide reasonable protection against harmful interference when the equipment is operated in a commercial environment. This equipment generates, uses, and can radiate radio frequency energy and, if not installed and used in accordance with the instruction manual, may cause harmful interference to radio communications. Operation of this equipment in a residential area is likely to cause harmful interference in which case the user will be required to correct the interference at his own expense.

#### **Industry Canada Approval**

This Class A digital apparatus complies with Canadian ICES-003.

Cet appareil numérique de la classe A est conforme à la norme NMB-003 du Canada.

## 4 Introduction

The OTT ecoLog 800 (3G) groundwater datalogger is designed to precisely measure and store groundwater levels and temperatures, as well as the specific electrical conductivity of the groundwater and to transmit these measured values through a GSM cellular network. The OTT ecoLog 800 (3G) also calculates the salinity and a TDS value (Total Dissolved Solids) based on the specific conductivity.

The pressure probe equipped with a relative pressure probe cell uses the hydrostatic pressure of the water column to determine the water level. As a reference, a pressure compensation capillary in the pressure probe cable provides the measuring cell with the current ambient air pressure. Erroneous measurement results due to atmospheric air pressure fluctuations are thus eliminated. The OTT ecoLog 800 (3G) measures the specific electrical conductivity using a 4-electrode conductivity sensor with integrated temperature sensor. The measurement electrodes are made of graphite.

The temperature compensation process for the conductivity measurement and the reference temperature used can be chosen as well as the calculation method for the salinity.

The OTT ecoLog 800 (3G) is available in five measuring ranges:

- ▶ 0 ... 4 m water column (0 ... 0.4 bar)
- ▶ 0 ... 10 m water column (0 ... 1 bar)
- ▶ 0 ... 20 m water column (0 ... 2 bar)
- ▶ 0 ... 40 m water column (0 ... 4 bar)
- ▶ 0 ... 100 m water column (0 ... 10 bar)

Based on a reference value that is input during startup, the OTT ecoLog 800 (3G) default setting provides measurement results in the form of depth values. Alternatively, levels or pressure values are possible. The measurement intervals (sample intervals) can be preselected as necessary.

The operating parameters are set using the "OTT Water Logger Operating Program" PC software. This software allows the system to be conveniently and flexibly tailored to a wide range of measurement requirements of a station. The software can be set to provide a basic or an advanced user interface. The basic user interface allows all settings to be adjusted within a single program window. In the advanced user interface, the sample interval can be controlled e.g. by means of limit events. The software also supports the execution of pumping tests.

The stored measured values are made available through an infrared interface (IrDA) for wireless readout using PC on which the OTT Water Logger Operating Program is executed.

The OTT ecoLog 800 (3G) includes a built-in cellular modem (with SMA antenna connector) that is used for remote data transfer and remote parameterizing<sup>1)</sup> via the cellular network. The remote data transfer can be optionally carried out by SMS text messages or transmission services GSM, GPRS, UMTS<sup>2)</sup> or HSPA+<sup>2)</sup>. If necessary – e.g. when the signal strength of the cellular network is low at the installation site – the factory installed radio antenna may be replaced by an external one.

The OTT ecoLog 800 (3G) is installed by simply hanging it into observation wells of 2" in diameter and above. For this purpose, various adapters/suspension brackets are available as accessories. For power supply, three options are available: lithium battery, DD type, 26 Ah capacity; lithium battery, D type, 13 Ah capacity; or commercial alkaline batteries (only OTT ecoLog 800 with dedicated battery holder). When using the DD type lithium battery, battery lifetime is (depending on additional parameters) at least 10 years, taking into account one single remote data transfer per day. The communication unit of the OTT ecoLog 800 (3G) can withstand temporary flooding (for details, refer to Chapter 23, "Technical data").

<sup>1)</sup> only OTT ecoLog 800

<sup>2)</sup> only OTT ecoLog 800 3G

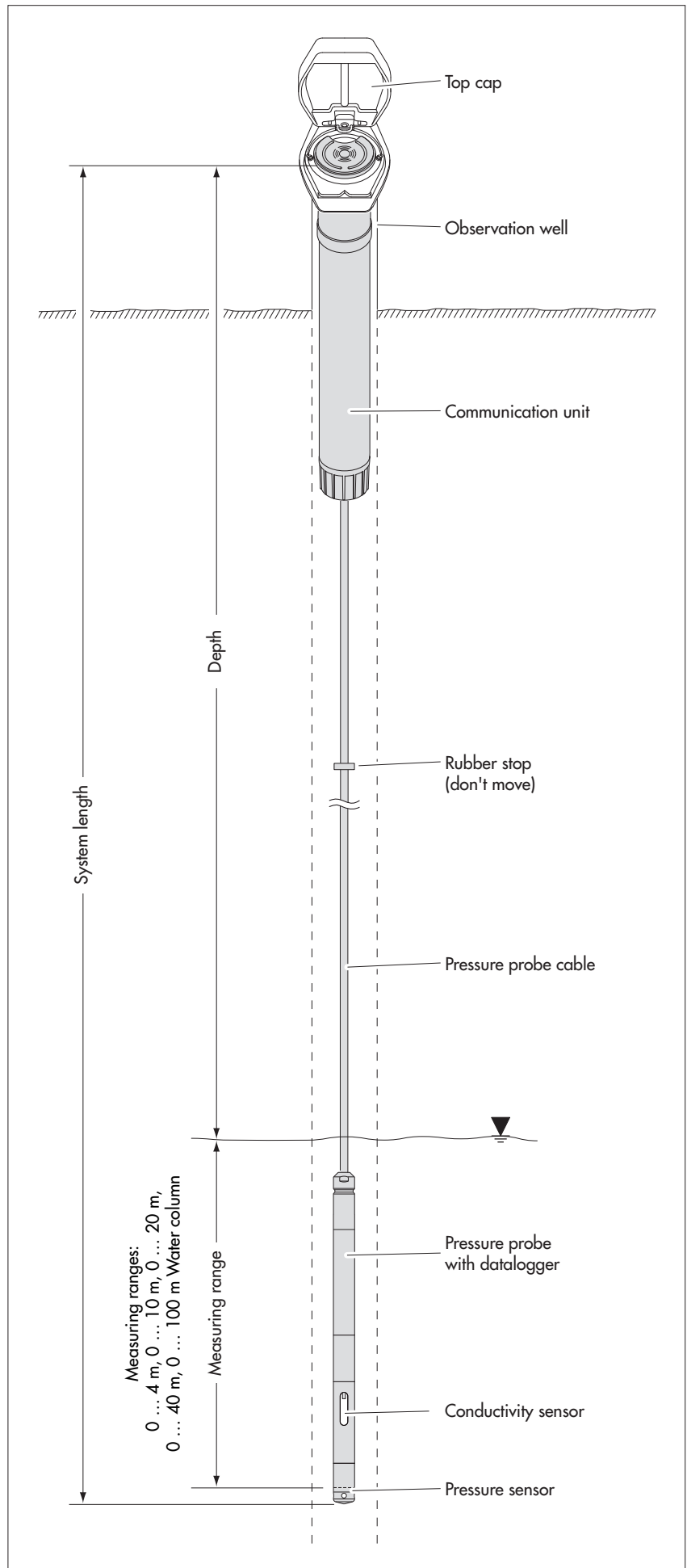


Fig. 1: Setup of a groundwater measurement station using the OTT ecoLog 800 (3G).

The OTT ecoLog 800 (3G) essentially consists of three components: communication unit, pressure probe cable, and pressure probe with datalogger.

OTT ecoLog 800 (3G) system length = length of communication unit + cable length + length of pressure probe with datalogger. (The system length is required when ordering an OTT ecoLog 800 (3G). When setting the OTT ecoLog 800 (3G) operating parameters, the system length is not required.)

(The rubber stop attached to the pressure probe cable prevents the pipe casing from falling when the communication unit is open.)



## 5 Installing, checking, and replacing batteries



### WARNING

#### Improper handling of batteries involves fire or explosion hazard!

- ▶ Only use the battery types specified (no rechargeable types).
- ▶ Always use brand-new batteries. Do not mix used and new batteries.
- ▶ Do not mix batteries from different manufacturers
- ▶ Do not charge the batteries!
- ▶ Avoid short circuits!
- ▶ Avoid mechanical damage!
- ▶ Do not open batteries!
- ▶ Do not expose batteries to fire or to temperatures above 100 °C!
- ▶ Do not solder on the batteries!
- ▶ Properly dispose of exhausted batteries. Do not put them into domestic waste.

### Suitable battery types

#### OTT ecoLog 800

- ▶ Lithium battery, DD type (26 Ah), (use OTT accessories only); or
- ▶ Lithium battery, D type (13 Ah), (use OTT accessories only); or
- ▶ 2 alkaline batteries (1.5 V), LR14 · AM-2 · MN 1400 · C type.  
For using the alkaline batteries, a dedicated battery holder is required.

#### OTT ecoLog 800 3G

- ▶ Lithium battery, DD type (26 Ah), (use OTT accessories only); or
- ▶ Lithium battery, D type (13 Ah), (use OTT accessories only).

### Battery lifetimes

The values mentioned below apply to the following conditions: sample interval – 1 hour; one single remote data transfer per day; system length – 50 m.

- ▶ Lithium battery, DD type : at least 10 years,
- ▶ Lithium battery, D type : at least 5 years,
- ▶ Alkaline batteries<sup>1)</sup>: at least 1 year (high quality battery types).

### Notes

- ▶ The OTT ecoLog 800 (3G) starts measuring after inserting the batteries (there is no ON/OFF switch).
- ▶ If the OTT ecoLog 800 (3G) is to be shut off → remove the batteries. This will prevent the batteries from draining prematurely and will stop any recording of unusable measurements.
- ▶ When transporting the OTT ecoLog 800 (3G) → remove the batteries. This will prevent the batteries from draining prematurely and will stop any recording of unusable measurements.
- ▶ When bringing the unit back into operation, it takes – dependent on how much data is stored – up to 7 minutes until the OTT ecoLog 800 (3G) starts measuring again.

<sup>1)</sup> for OTT ecoLog 800 (not suitable for OTT ecoLog 800 3G)

### Check the battery voltage as follows

- Establish the PC/OTT ecoLog 800 (3G) communication link, refer to Chapters 9.2 or 9.3.
- Select the "OTT ecoLog 800 (3G)" menu, "View Instantaneous values" function<sup>1)</sup>  
→ The OTT ecoLog 800 (3G) starts an instantaneous value measurement → The "Observer" window indicates the current battery voltage and the energy drawn from the batteries so far in Ah.
- – Alkaline batteries<sup>2)</sup>: Criterion for replacing the batteries:  
Battery voltage lower than about 1.9 V  
→ Replace the batteries.
- Lithium batteries: Criterion for replacing the batteries: Ah drawn  
Lithium battery, DD type: > approx. 20 Ah  
Lithium battery, D type : > approx. 10 Ah  
→ Replace the batteries.  
(For technical reasons, the battery voltage displayed cannot not be used as a criterion for replacing lithium batteries.)
- Click on the "Exit" button.
- Close the operating program.

<sup>1)</sup> With suitable settings (Menu "File", function "Options"), the operating program starts with the "Observer" window.

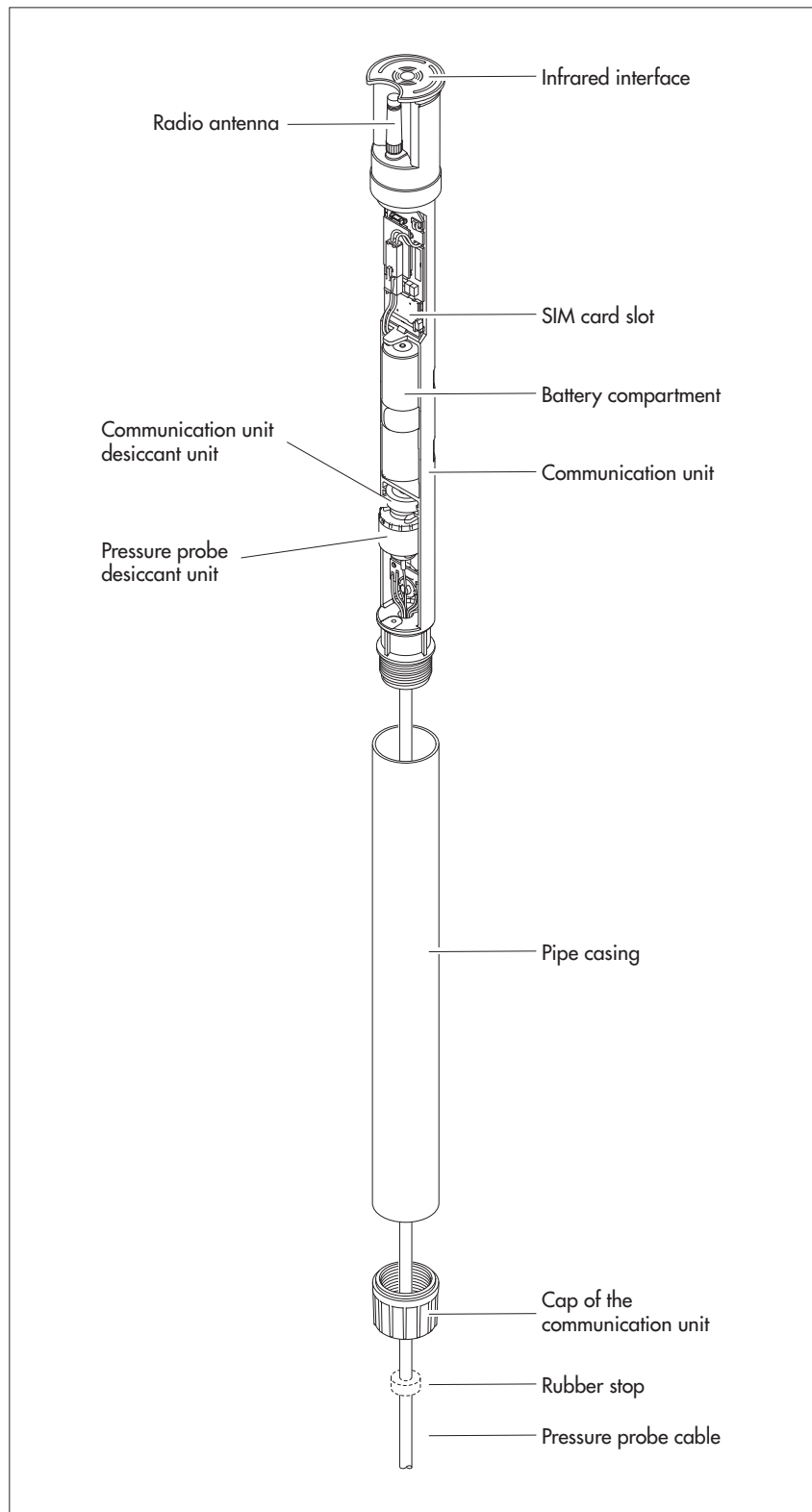
<sup>2)</sup> for OTT ecoLog 800 (not suitable for OTT ecoLog 800 3G)

## 5.1 Power supply using lithium batteries

### How to insert the lithium battery

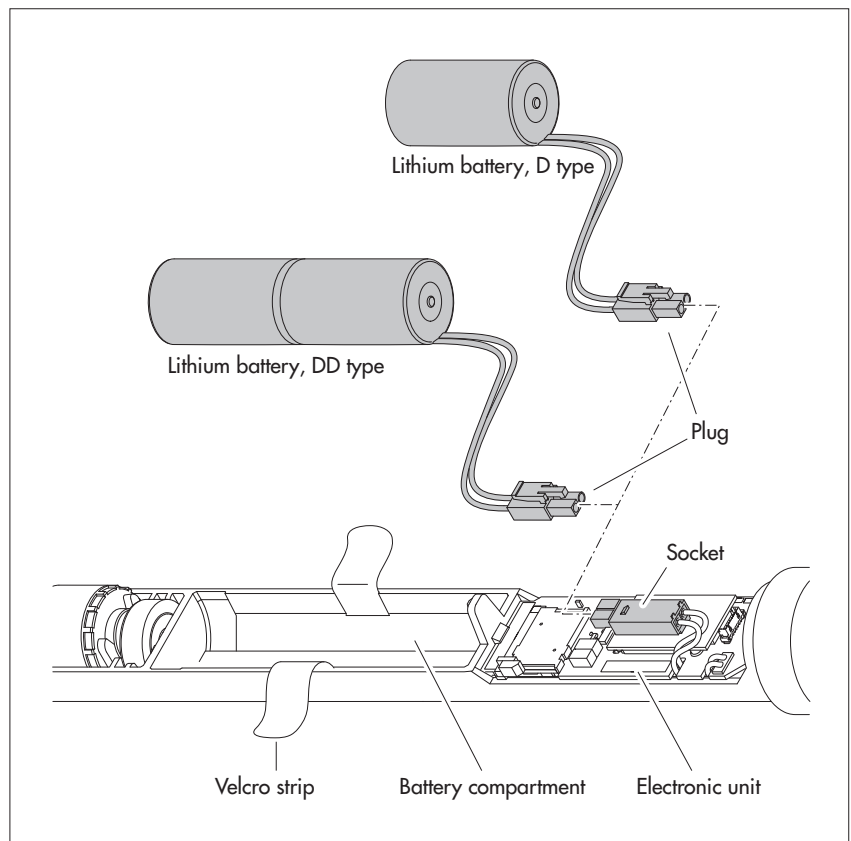
- Remove the screw fitting from the communication unit.
- Slide the cap and pipe casing of the communication unit approx. 50 cm towards the pressure probe cable.

Fig. 2: Setup of the OTT ecoLog 800 (3G) communication unit.



- Connect the lithium battery plug to the socket of the electronic unit, as shown in figure 3.

Fig. 3: Inserting the lithium battery.



- Open the Velcro strip of the battery compartment.
- Insert the lithium battery into the battery compartment (D type lithium battery: insert the battery into the right-hand side (top) of the battery compartment; the wiring of the D type lithium battery below the heat-shrinkable tubing must be located at the side or bottom.)
- Firmly close the Velcro strip around the lithium battery.
- Slide the cap and the pipe casing of the communication unit back up to the stop. **Please note:** Do not bend or pinch the battery lead.
- Reinstall the screw fitting to the communication unit.

## How to replace the lithium battery

- Open the top cap/observation well cover.
- Pull and hold the communication unit approximately 1 m out of the observation well (a second person would be useful).
- Remove the screw fitting from the communication unit.
- Slide the cap and pipe casing of the communication unit approx. 50 cm towards the pressure probe cable. (The rubber stop located on the pressure probe cable (refer to Fig. 2) prevents the pipe casing from falling. Do not move the rubber stop!)
- Disconnect the lithium battery plug from the socket of the electronic unit, while pressing the connector latch.
- Open the Velcro strip of the battery compartment.
- Remove the exhausted lithium battery and make sure not to pull the lead!
- Within 10 minutes, connect the lithium battery plug to the socket of the electronic unit, as shown in figure 3.
- Insert the lithium battery into the battery compartment (D type lithium battery: insert the battery into the right-hand side (top) of the battery compartment; the wiring of the D type lithium battery below the heat-shrinkable tubing must be located at the side or bottom.)
- Firmly close the Velcro strip around the lithium battery.
- Slide the cap and the pipe casing of the communication unit back up to the stop. **Please note:** Do not bend or pinch the lithium battery lead.
- Reinstall the screw fitting to the communication unit.
- Slowly and carefully reinsert the communication unit into the observation well.
- Delete the power consumption value (power drawn from battery in ampere hours) in the "Observer" window of the operating program. For more information, please refer to online help in the operating program.
- Close the top cap/observation well cover.

## Notes

- ▶ The OTT ecoLog 800 (3G) stores the measured values in a non-volatile memory. There is no loss of data when changing batteries. This also applies to storage without batteries for a long period.
- ▶ If replacing the batteries takes longer than approx. 10 minutes the time (and possibly the date) will have to be re-entered, refer to Chapter 15, "Setting date and time". Furthermore, it takes – dependent on how much data is stored – up to 7 minutes until the OTT ecoLog 800 (3G) starts measuring again (during this time, the OTT ecoLog 800 (3G) re-initializes its database).
- ▶ When replacing the batteries, we recommend changing the desiccant capsules at the same time, refer to Chapter 18.2, "Replacing the desiccant capsules".

## 5.2 Power supply using alkaline batteries (OTT ecoLog 800)

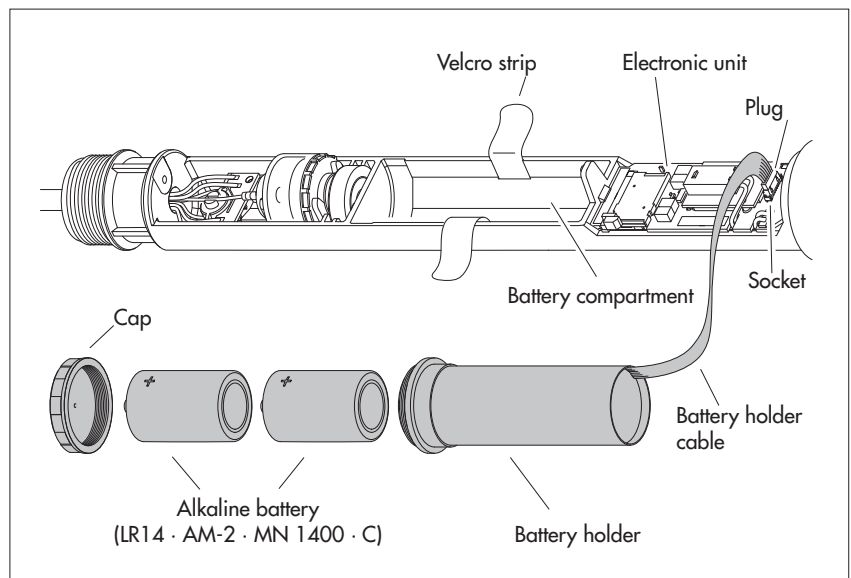
### Notes

- ▶ Alkaline batteries can only be used in the OTT ecoLog 800. They cannot be used in the OTT ecoLog 800 3G!
- ▶ At 0 °C, alkaline batteries have approx. 50 % of their original 20 °C capacity and at -10 °C, they have approx. 35 % due to their design. If temperatures drop below 0 °C at the measurement station it is recommended that lithium batteries (OTT lithium batteries D or DD types) be used.

### How to insert the alkaline batteries into the battery holder

- Remove the screw fitting from the communication unit.
- Slide the cap and pipe casing of the communication unit approx. 50 cm towards the pressure probe cable.
- Open the Velcro strip above the battery holder.
- Remove the battery holder from the battery compartment.
- Remove the cap of the battery holder by rotating it counter-clockwise.
- Insert 2 alkaline batteries (LR14 · AM-2 · MN 1400 · C) into the battery holder as shown in figure 4. Ensure that the polarity is correct!

Fig. 4: Inserting alkaline batteries into the battery holder.



- Install the cap of the battery holder by rotating it clockwise.
- Insert the battery holder into the battery compartment.
- Firmly close the Velcro strip of the battery holder around the battery holder.
- Slide the cap and the pipe casing of the communication unit back up to the stop. **Please note:** Do not bend or pinch the battery holder lead.
- Reinstall the screw fitting to the communication unit.

## How to replace exhausted alkaline batteries

- Open the top cap/observation well cover.
- Pull and hold the communication unit approximately 1 m out of the observation well (a second person would be useful).
- Remove the screw fitting from the communication unit.
- Slide the cap and pipe casing of the communication unit approx. 50 cm towards the pressure probe cable. (The rubber stop located on the pressure probe cable (refer to Fig. 2) prevents the pipe casing from falling. Do not move the rubber stop!)
- Open the Velcro strip above the battery holder.
- Remove the battery holder from the battery compartment.
- Remove the cap of the battery holder by rotating it counter-clockwise.
- Remove the exhausted alkaline batteries and make sure not to pull the lead!
- Within 10 minutes, insert 2 alkaline batteries (LR14 · AM-2 · MN 1400 · C) into the battery holder as shown in figure 4 (ensure that the polarity is correct) and install the cap of the battery holder by rotating it clockwise.
- Insert the battery holder into the battery compartment.
- Firmly close the Velcro strip of the battery holder around the battery holder.
- Slide the cap and the pipe casing of the communication unit back up to the stop. **Please note:** Do not bend or pinch the battery holder lead.
- Reinstall the screw fitting to the communication unit.
- Slowly and carefully reinsert the communication unit into the observation well.
- Close the top cap/observation well cover.

If you want to change from the currently used battery holder containing 2 alkaline batteries (LR14 · AM-2 · MN 1400 · C) to lithium batteries prior to using the unit follow the steps below:

- Disconnect the battery holder cable from the socket of the electronic unit. Carefully pull the plug straight upwards.
- Open the Velcro strip above the battery holder.
- Remove the battery holder from the battery compartment.
- Insert the lithium battery as described in Chapter 5.1.

## Notes

- ▶ The OTT ecoLog 800 (3G) stores the measured values in a non-volatile memory. There is no loss of data when changing batteries. This also applies to storage without batteries for a long period.
- ▶ If replacing the batteries takes longer than approx. 10 minutes the time (and possibly the date) will have to be re-entered, refer to Chapter 15, "Setting date and time". Furthermore, it takes – dependent on how much data is stored – up to 7 minutes until the OTT ecoLog 800 (3G) starts measuring again (during this time, the OTT ecoLog 800 (3G) re-initializes its database).
- ▶ When replacing the batteries, we recommend changing the desiccant capsules at the same time, refer to Chapter 18.2, "Replacing the desiccant capsules".



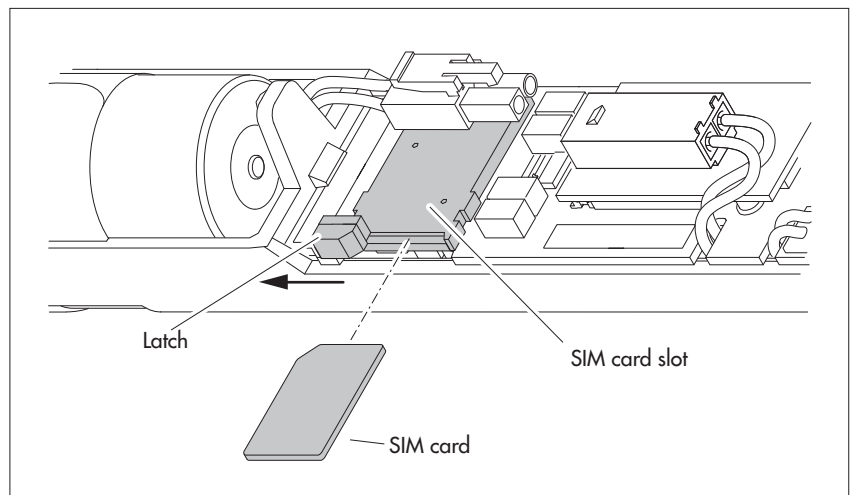
## 6 Inserting a SIM card

For communicating over the cellular network, a SIM card is required.  
(OTT ecoLog 800: type Mini-SIM card; OTT ecoLog 800 3G: type Micro-SIM card)

### How to insert the SIM card:

- Remove the screw fitting from the communication unit.
- Slide the cap and pipe casing of the communication unit approx. 50 cm towards the pressure probe cable, refer to Fig. 2.
- Temporarily disconnect/remove batteries (refer to Sections 5.1 and 5.2).
  
- Make sure not to touch the gold-colored contacts of the SIM card!
  - OTT ecoLog 800: Insert the SIM card into the SIM card slot as shown in Fig. 5: press bevelled edge against the latch so that the latch slightly moves to the left allowing the SIM card to engage.
  - OTT ecoLog 800 3G: Insert the SIM card into the silver-coloured SIM card slot (with the bevelled edge pointing left) until you hear it clicking into place. Make sure that the SIM card is fully inserted and engaged!

Fig. 5: Inserting the SIM card.  
This figure shows, as an example, a mini-SIM card being inserted into the OTT ecoLog 800.



- Reconnect/insert batteries (refer to Sections 5.1 and 5.2).
- Slide the cap and the pipe casing of the communication unit back up to the stop. **Please note:** Do not bend or pinch the battery lead.
- Reinstall the screw fitting to the communication unit.

### Changing/removing the SIM card

- OTT ecoLog 800: Slide the latch into the direction indicated by the arrow.
- OTT ecoLog 800 3G: Press the SIM card approx. 1 mm further into the SIM card slot before letting go. The SIM card will then be ejected a few millimeters and can easily be pulled out.

## 7 If required: Connecting an external radio antenna

If the local signal strength of the cellular network prevents transmitting from the closed observation well, an external radio antenna (accessory) is to be connected to the OTT ecoLog 800 (3G). In this case, only the dedicated external radio antenna specified by OTT must be used for this particular application (cable length max. 3 m).

You may fasten the external radio antenna to a suitable location using the shim and nut supplied (drilling a hole for the thread of the external antenna is required:  $\varnothing$  approx. 18 mm). For this installation, an individual solution to fasten the external antenna must be found depending on the station.

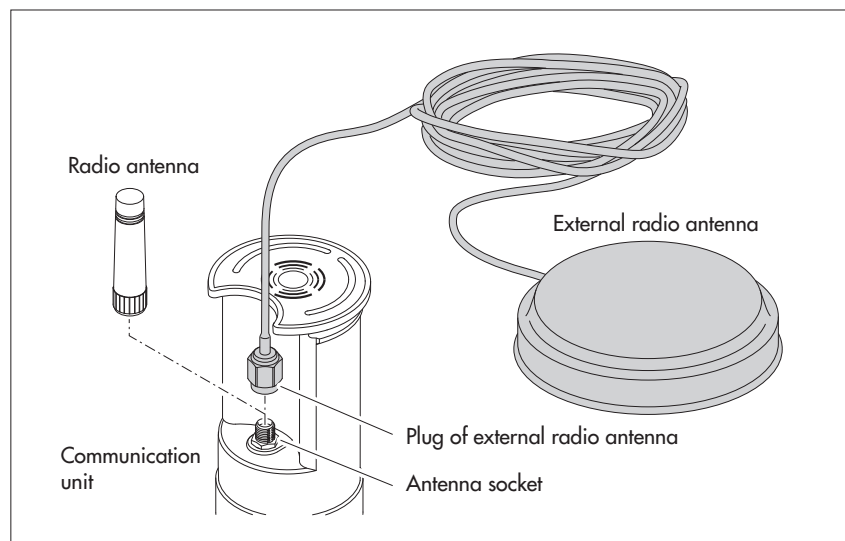
If the observation well is closed by a top cap you need to have a hole in the observation well so that the antenna cable can be routed to the outside (to prevent rain water from entering into the observation well, it is recommended to place the hole on the side). If required seal the cable feedthrough.

### How to connect an external radio antenna

Depending on the particular local situation (diameter of the observation well, type of the top cap, and other mounting characteristics), the external radio antenna must be connected prior to or during installation. Please note the relevant chapters 8.2 through 8.4.

- Carefully unscrew the factory mounted antenna by hand.
- Route the plug of the antenna cable through a hole in the observation well.
- Connect the plug to the antenna socket and hand-tighten the locknut.
- Fasten the external radio antenna to a suitable location outside the observation well.

Fig. 6: Connecting an external radio antenna.



### Notes

- ▶ When installing an external radio antenna, the minimum distance to people and other electrical equipment or antennae must be at least 20 cm.
- ▶ Additional accessories for optimizing the radio conditions at the station are available on request (e.g. plastic top caps, top caps with external or internal radio antenna).

## 8 Installing the OTT ecoLog 800 (3G) unit

The OTT ecoLog 800 (3G) is installed by hanging it into the observation well. The necessary accessories and type of installation vary depending on the diameter of the observation well and the design of the top cap:

- ▶ 2" observation wells refer to 8.1  
OTT top cap **with** cut-out for adapter plate
- ▶ 4" or 6" observation wells, refer to 8.2  
OTT top cap **with** cut-out for adapter plate
- ▶ Observation wells of 3" in diameter and above, refer to 8.3  
Top caps **without** cut-out for adapter plate
- ▶ Special case: observation wells beginning at 3" in diameter refer to 8.4  
without top cap, universal installation

Fig. 7: Accessories for installation – Part 1

- 1 = drilled hole for OTT ecoLog 800 (3G)
- 2 = cut-out for screws of the top cap
- 3 = cut-out for contact gauge

Adapter plates for observation wells having other dimensions are available on request, refer to the "Order numbers" chapter.

(Each adapter plate consists of two parts and three bolts. In the figure, the adapter plates are shown in installed condition (on delivery, they are not installed). Furthermore, an O-ring is supplied with the adapter plates.

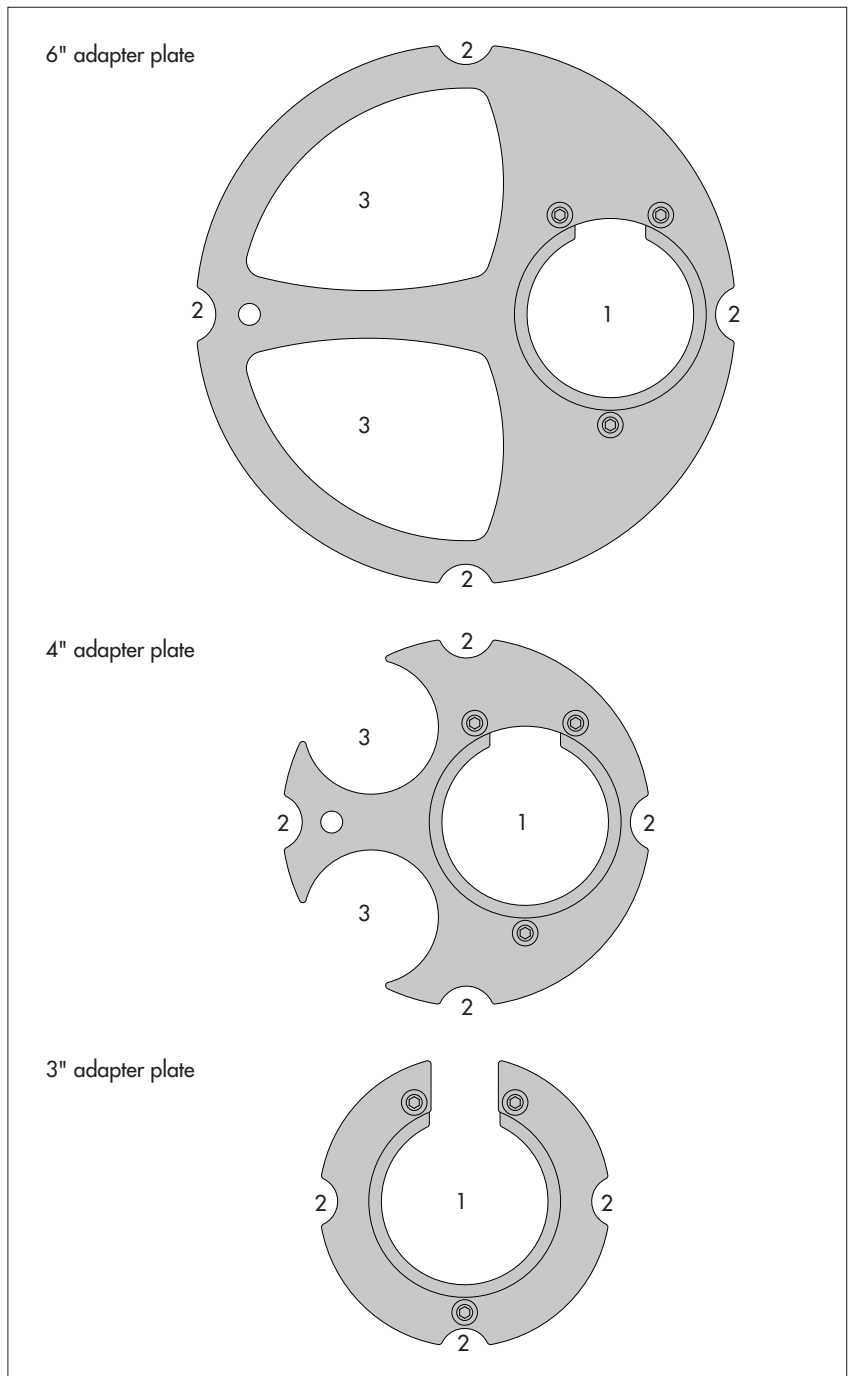
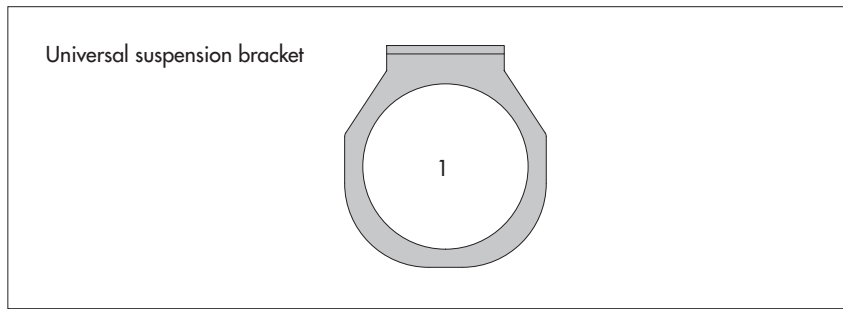


Fig. 8: Accessories for installation – Part 2

1 = drilled hole for OTT ecoLog 800 (3G)



### 8.1 Installing the unit into 2" observation wells, top cap with cut-out

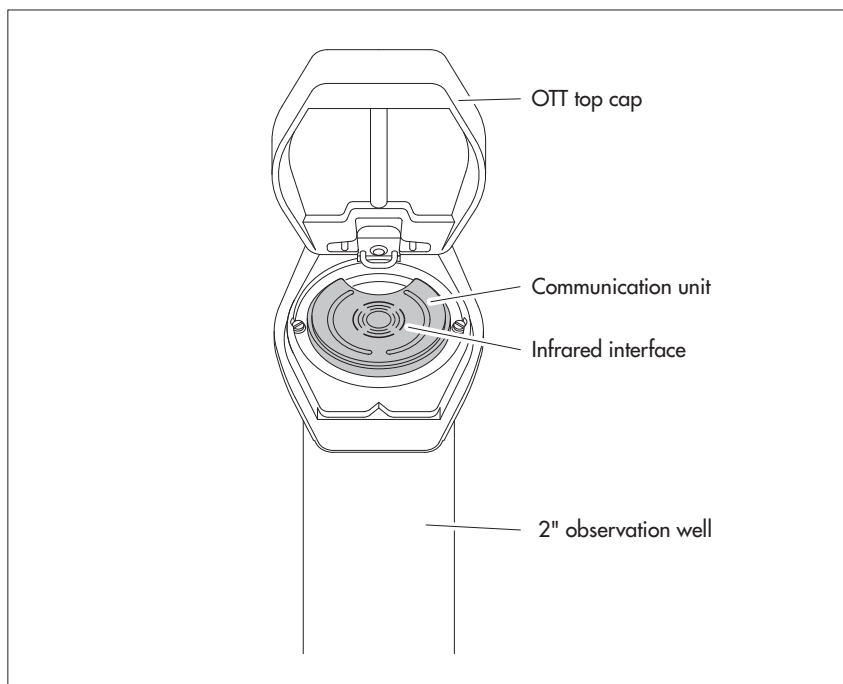
► Required accessories: 2" OTT top cap with cut-out

#### How to install the OTT ecoLog 800 (3G)

- Preliminary work: If not already done, install batteries and SIM card, refer to Chapter 5.
- Open the top cap.
- Determine the current depth using a contact gauge and note the measured value.
- Insert the pressure probe into the observation well.
- **Slowly** and **carefully** lower the pressure probe by means of the pressure probe cable!
- Insert the communication unit into the observation well until the upper part of the communication unit is fully seated on the top cap, refer to Fig. 9.
- Set the operating parameters, refer to Chapter 9.
- Close the top cap.



Fig. 9: Installing the OTT ecoLog 800 (3G) into a 2" observation well.



## 8.2 Installing the unit into 3", 4" or 6" observation wells, top cap with cut-out for adapter plate

- Required accessories: OTT top cap with appropriately sized cut-out and compatible adapter plate (incl. O-Ring).

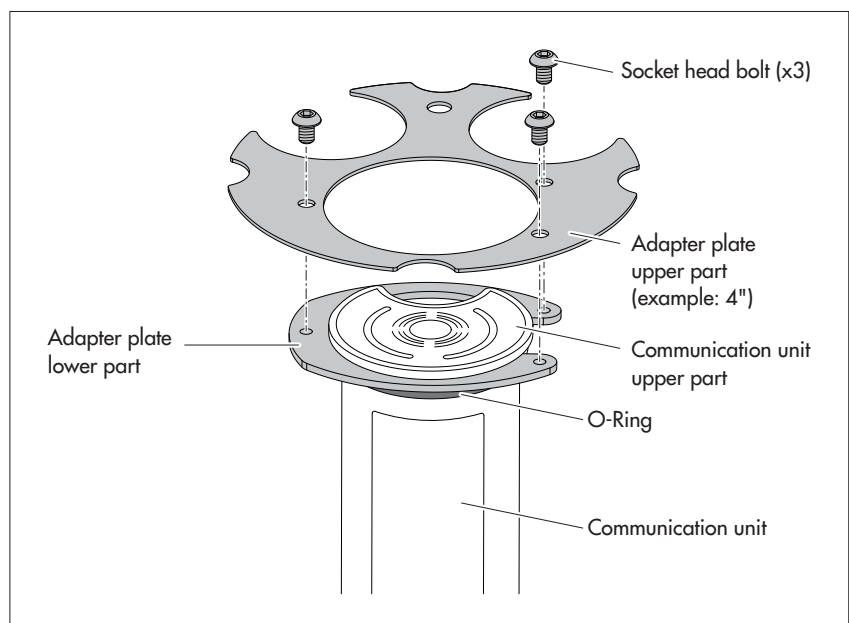
### How to install the OTT ecoLog 800 (3G)

- Preliminary work: If not already done, install batteries and SIM card, refer to Chapter 5.
- Put the O-ring over the upper part of the communication unit and slide 20 mm down.
- Slide the lower part of the adapter plate (horseshoe-shaped) below the communication unit over the pressure probe cable and, on the communication unit, slide it up horizontally until it touches the O-ring.
- Slightly tilt the lower part of the adapter plate and, while rotating it, slide it up over the O-ring.
- Slide the O-ring and the lower part of the adapter plate up until the O-ring is seated in one of the grooves provided for it.
- Assemble the required upper part of the adapter plate (3", 4", or 6") as shown in Figure 10 with the lower part using three M 2.5 socket head bolts.
- Open the top cap.
- 3" observation wells: Determine the current depth using a contact gauge and note the measured value.
- Insert the pressure probe into the observation well.
- **Slowly** and **carefully** lower the pressure probe into the observation well with the pressure probe cable, refer to Fig. 11!
- Insert the communication unit with adapter plate assembled into the observation well until the adapter plate and the upper part of the communication unit are fully seated on the top cap. Align as shown in Figure 12.
- 4" and 6" observation wells: Use a contact gauge to determine the current depth and record it (in the adapter plate, there is a cut-out for the contact gauge).
- Set the operating parameters, refer to Chapter 9.
- Close the top cap.



Fig. 10: Install the adapter plate to the upper part of the communication unit.

Example: 4" observation well.



### Note

- As an alternative to the procedure described above, you may install the adapter plate independently of the communication unit. In this case, you have to feed the pressure probe through the O-ring and the hole in the adapter plate and to pull the entire pressure probe cable.

Fig. 11: Feed the communication unit and adapter plate into the observation well.

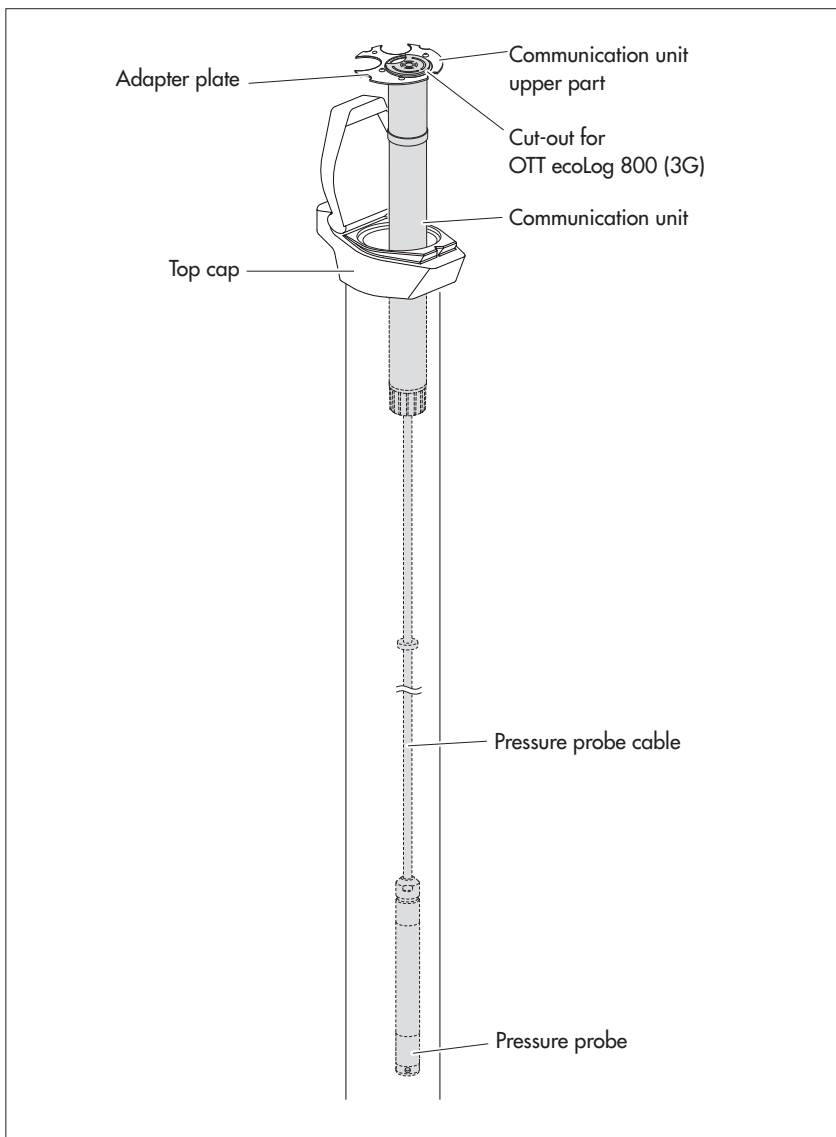
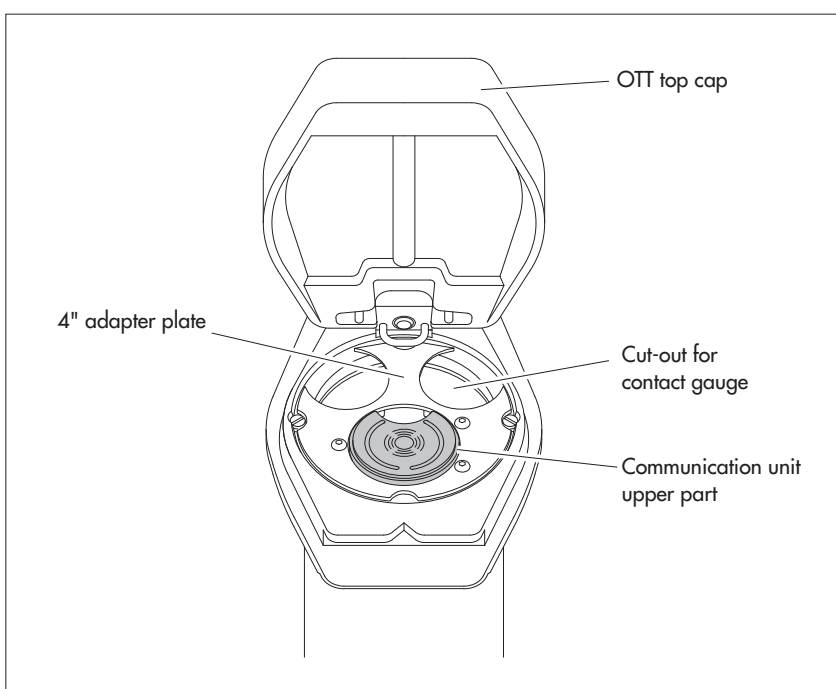


Fig. 12: Installing the OTT ecoLog 800 (3G) into a 3", 4" or 6" observation well.

Example: 4" observation well.



### 8.3 Installing the unit into observation wells of 3" in diameter and above, top cap without cut-out for adapter plate

For this installation case, an individual solution to fasten the OTT ecoLog 800 (3G) must be found depending on the station. Example: fix the universal suspension bracket using an M6 hex head bolt/hex nut laterally to the upper end of the observation well.

- ▶ Required accessories: universal suspension bracket, mounting bolts, e.g.: M6 hex head bolt, washer, and M6 hex nut (all made of stainless steel).

#### How to install the OTT ecoLog 800 (3G)

- Preliminary work: If not already done, install batteries and SIM card, refer to Chapter 5.
- Open the top cap.
- Drill 2 holes (Ø 6.5 mm, 20 mm apart) laterally into the upper end of the observation well.  
**Please note:** The universal suspension bracket is to be mounted in such a way that there is a gap of a few millimeters between the top cap and the infrared interface with the top cap closed. Otherwise there will be a risk of damaging the infrared interface when the top cap is closed, refer to Fig. 14.
- Attach the universal suspension bracket to the observation well using two M6 hex head bolts, washers, and M6 hex nuts. Use the two lower of the three drilled holes of the universal suspension bracket, refer to Fig. 13.
- Pass the pressure probe through the cut-out of the universal suspension bracket.
- **Slowly** and **carefully** lower the pressure probe into the observation well with the pressure probe cable.
- Pass the communication unit through the holes of the universal suspension bracket until the communication unit is seated on the universal suspension bracket, refer to Fig. 14.
- Determine the current depth using a contact gauge and note the measured value.
- Set the operating parameters, refer to Chapter 9.
- Close the top cap.



#### Note

- ▶ If protection against vandalism is required M6 threads are to be tapped into the observation well instead of mounting the unit by means of hex nuts.

Fig. 13: Mounting diagram for universal suspension brackets in observation wells of 3" and above.

Example: 4" observation well

Minimum clearance (A) of the upper hole to the upper edge of the opened top cap: 43 mm!

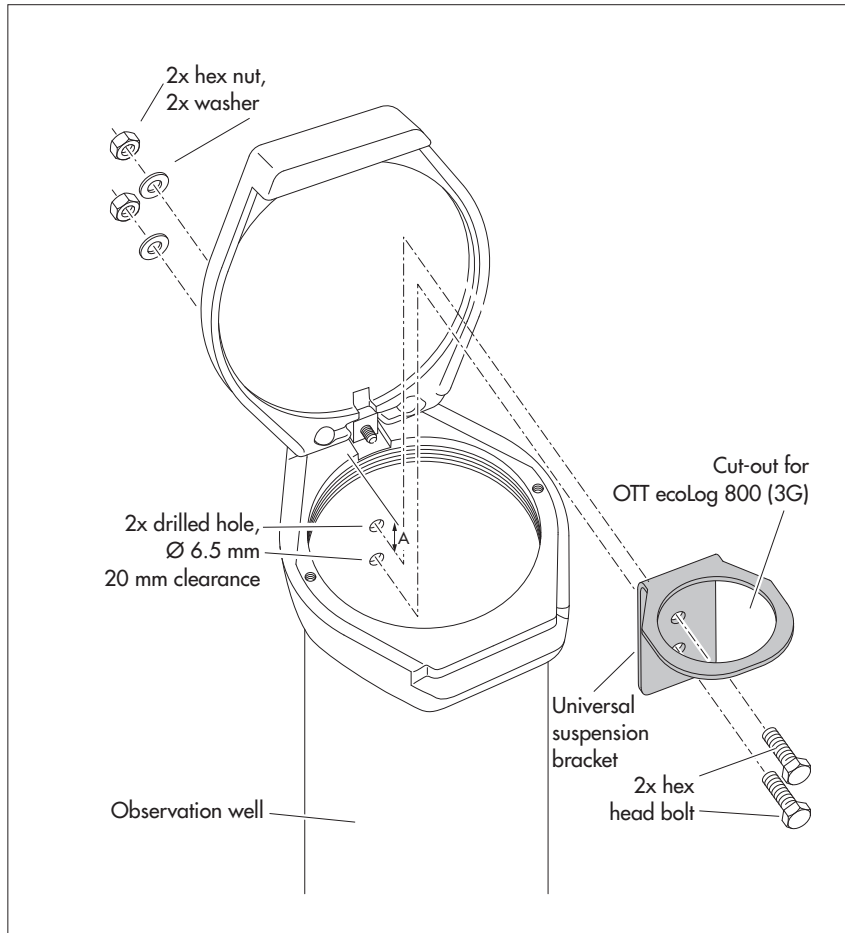
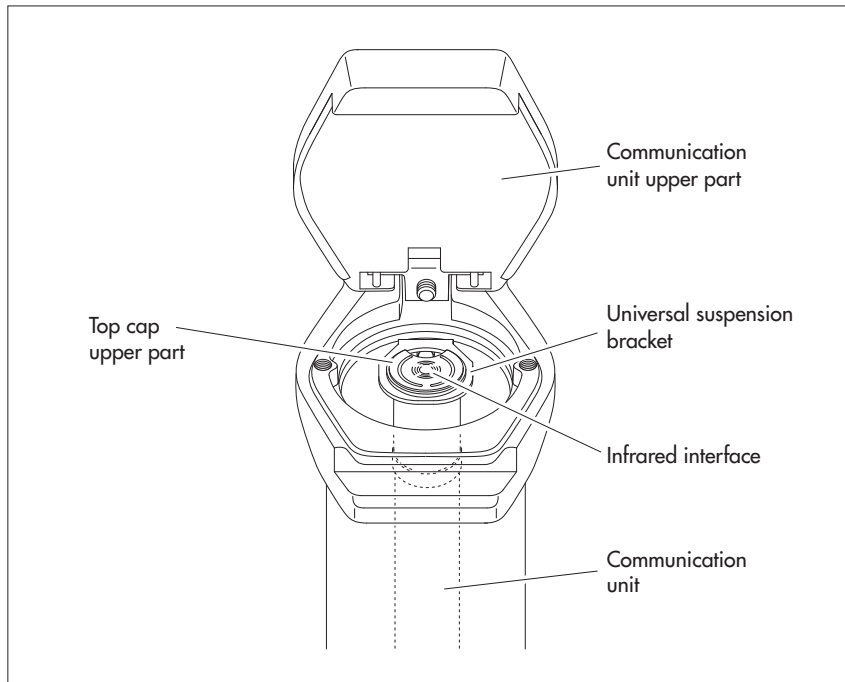


Fig. 14: Installing the OTT ecoLog 800 (3G) into observation wells of 3" diameter and above with a top cap without cut-out.

Example: 4" observation well.





## 8.4 Installing the unit into observation wells of 3" in diameter and above, without top cap, universal installation

For this installation case, an individual solution to fasten the OTT ecoLog 800 (3G) must be found depending on the station. Example: fix the universal suspension bracket using an M6 hex head bolt/hex nut laterally to the upper end of the observation well.

- Required accessories: universal suspension bracket, mounting bolts, e.g.: M6 hex head bolts, washers, and M6 hex nuts (all made of stainless steel).

### How to install the OTT ecoLog 800 (3G) (example)

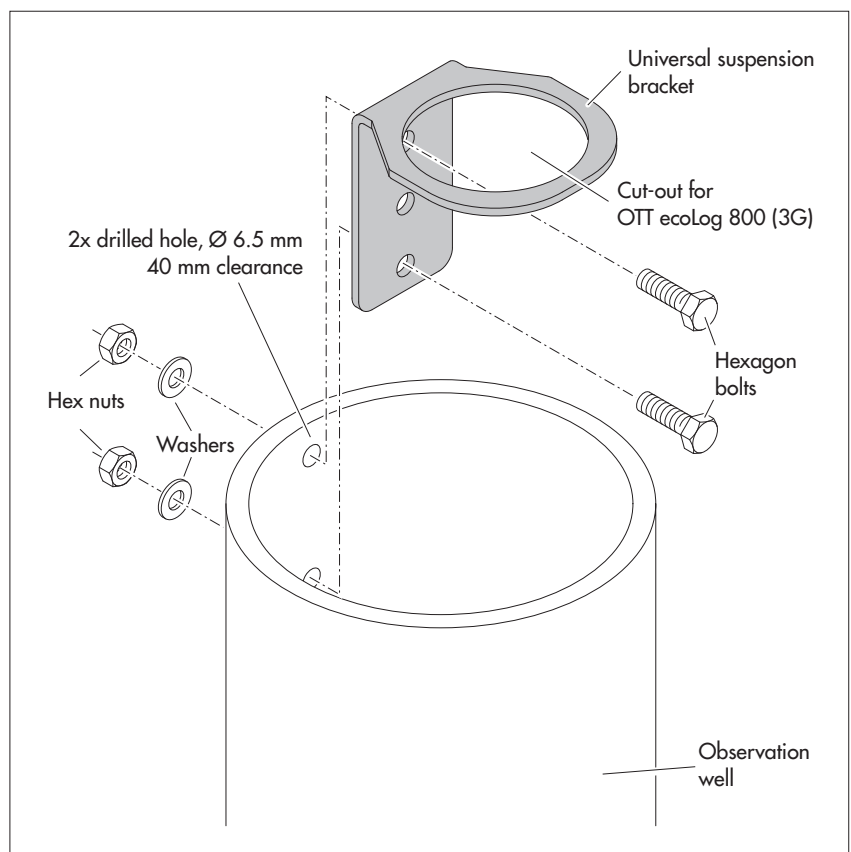
- Preliminary work: If not already done, install batteries and SIM card, refer to Chapter 5.
- Drill 2 holes ( $\varnothing$  6.5 mm, 40 mm apart) laterally into the upper end of the observation well, refer to Fig. 15.
- Attach the universal suspension bracket to the observation well using two M6 hex head bolts, washers, and M6 hex nuts. Use the uppermost and lowermost of the three drilled holes of the universal suspension bracket, refer to Fig. 15.
- Pass the pressure probe through the cut-out of the universal suspension bracket.
- **Slowly** and **carefully** lower the pressure probe into the observation well with the pressure probe cable.
- Pass the communication unit through the holes of the universal suspension bracket until the communication unit is seated on the universal suspension bracket, refer to Fig. 14.
- Determine the current depth using a contact gauge and note the measured value.
- Set the operating parameters, refer to Chapter 9.



Fig. 15: Mounting diagram for universal suspension brackets in observation wells of 3" and above.

Example: 4" observation well

If required, you may fix the universal suspension bracket reversed by 180° as well. The socket head bolts will then be easily accessible. In small diameter observation wells, you may not be able to place the optical reading head on the infrared interface when establishing a communication link. In such a case, position the reading head in a maximum distance of 25 cm above the infrared interface.



### Note

- If protection against vandalism is required M6 threads are to be tapped into the observation well instead of mounting the unit by means of hex nuts.

## 9 Setting OTT ecoLog 800 (3G) operating parameters

To set the OTT ecoLog 800 (3G) operating parameters, you will need the "OTT Water Logger Operating Program" PC software (WBSPL0.exe). This software is found on the "OTT Water Logger Software" CD-ROM (accessory).

Hardware and software requirements: refer to CD product insert.

### 9.1 Installing the OTT Water Logger Operating Program

#### How to install the OTT Water Logger Operating Program

- Insert the OTT Water Logger Software CD-ROM into the PC drive.
- In the "\\Software\\Deutsch" <sup>1)</sup> directory, start the "setup.exe" file (by e.g. double clicking the file symbol) → The Setup Assistant opens and guides you through the installation.
- Follow the installation instructions on the screen.

<sup>1)</sup> Alternatively: change to the "\\English", "\\Français", or "\\Español" directories.

### 9.2 Establishing the PC/OTT ecoLog 800 (3G) communication link (on site)

In the following chapters, establishing a communication link between the OTT ecoLog 800 (3G) and a PC is described, which is a pre-requisite for the subsequent steps. The following description illustrates the various methods of establishing this communication link.

The communication between the OTT ecoLog 800 (3G) and a PC is established contact-less via invisible infrared light (IrDA interface).

Required accessories:

- ▶ OTT DuoLink reading head <sup>2)</sup> or
- ▶ OTT IrDA-Link USB reading head

<sup>2)</sup> with PCB version "b": refer to the label on the connection line

#### How to establish a communication link

- Start the operating program.
- Change the language for the operating program as required: press F3 function key (multiple times) until the required language appears.
- In the start window, press the "Setup device" button → The operating program displays the "Basic operation" window. No operating parameters for the OTT ecoLog 800 (3G) are visible yet.

– Establishing a communication link to the OTT DuoLink reading head:

- Connect the OTT DuoLink reading head to a serial PC port (COM1, etc.).
- Place the OTT DuoLink reading head onto the OTT ecoLog 800 (3G) infrared interface, refer to Fig. 16.
- In the operating program, select the communication path "IrDA OTT DuoLink" and the serial port used (COM1, ...).

- Establishing up a communication link to the OTT IrDA-Link USB reading head:
  - Connect the OTT IrDA-Link USB reading head to a USB port on the PC. (USB interface drivers must be installed, refer to separate installation instructions.)
  - Place the OTT IrDA-Link USB reading head onto the OTT ecoLog 800 (3G) infrared interface, refer to Fig. 16.
  - In the operating program, select the communication path "IrDA OTT IrDA-Link".

#### Notes

- ▶ The built-in infrared interface of a PC (standard for many notebooks) can only be used with the Windows 95 and Windows NT operating systems!

### 9.3 Establishing the communication link from remote (OTT ecoLog 800)

#### Note

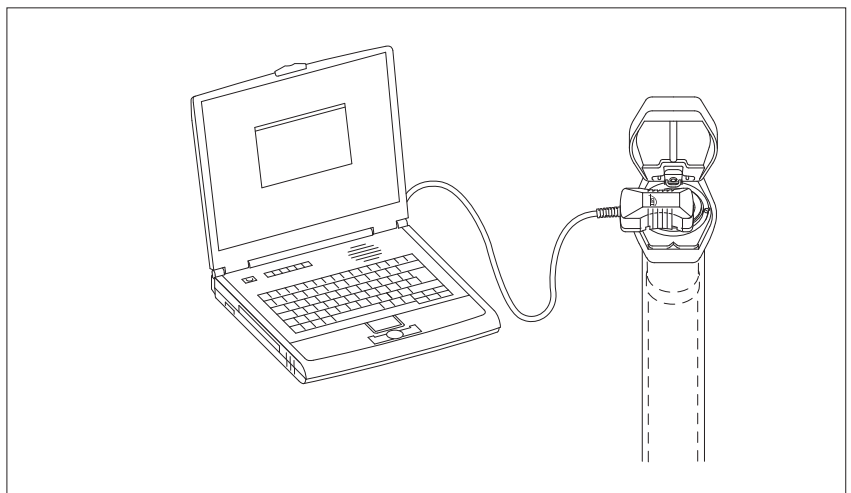
- ▶ A remote communication connection can only be established with the OTT ecoLog 800 (not the OTT ecoLog 800 3G)!

If both, installation and configuration of the OTT ecoLog 800 have been completed the communication link may also be established using the cellular network, e.g. for future modifications to the configuration. To perform these operations, the PC on which the operating program is executed must be connected to a wired or GSM modem. For more information, please refer to online help.



**Please note:** Establishing a communication link using the cellular network may take up to a minute!

Fig. 16: PC/OTT ecoLog 800 (3G) communication link.



## 9.4 Setting OTT ecoLog 800 (3G) operating parameters

### How to set the OTT ecoLog 800 (3G) operating parameters

- Click the "Connect" button (alternatively: menu "OTT ecoLog 800 (3G)", "Connect" function) → The operating program will read the current operating parameters of the OTT ecoLog 800 (3G).
- Setting operating parameters, refer to pages 30/31.
- Optionally: "Set up cyclic data transmission via SMS" or "Set up cyclic data transmission via GPRS(/3G)", refer to pages 28/29.
- Set date/time: Accept the proposed PC date/time or individually set the date/time using the "Set date/time" function, also refer to Chapter 15.



**Please note:** The operating program automatically corrects any Daylight Saving Time setting on the PC.

- Click the "Save to device" button → "Warning: Reset OTT ecoLog 800 (3G) and delete data memory additionally?" Confirm by clicking "Yes" (recommended for initial installation and reinstallations).



**Please note:** All measured values collected so far will be permanently lost!

- Check the level of the measured value set (pressure sensor), refer to Chapter 10.
- Remove the OTT DuoLink/OTT IrDA-Link USB reading head.
- Close the top cap/observation well cover.

### Setting up the cyclic data transmission via SMS <sup>1)</sup>

- Enable the "SMS data transmission active" check box.
- If necessary: Enable the "Authorize Roaming " and/or "Store GSM signal strength" check boxes.
- Click the "Settings modem" button → The operating program starts a wizard for setting all the necessary operating parameters.
- Enter the receiver phone no. for the data SMS (phone number of a large account or for a PC connected to a cellular modem).
- Click the "Next" button.
- If necessary: enter SIM PIN (4-digit) of the SIM card.
- Click the "Next" button.
- Set or enter the SMS-C phone no. of the network operator (phone number of the SMS service center. By default, the SMS-C phone number is already saved on the SIM card → In this case, set to "SIM card".)
- Click the "Next" button.
- Select the mode of the SMS transmission.
- Click the "Next" button.
- Set the interval for transmitting the stored values.
- Click the "Next" button.
- Set the offset time for the transmission interval.
- Click the "Exit" button.
- Finally check the settings and correct as necessary.
- Click the "OK" button.

<sup>1)</sup> For further information, refer to online help.



## Water level/pressure · temperature

- ▶ Parameter number sensor number, 4 characters (alphanumeric)
- ▶ Parameter name sensor name, max. 40 characters (alphanumeric)
- ▶ Measurement type/Meas.range Water level: depth or level · pressure
  - Conductivity 0.001 ... 2.000 mS/cm · 0.10 ... 100.00 mS/cm
  - Salinity: 2 ... 42.00 PSU · 2 ... 60.00 ppt
- ▶ Unit +
  - Pressure sensor: m, cm, feet, inch / bar, psi
  - Temperature: °C · °F
  - Conductivity: mS/cm · µS/cm
  - Salinity: PSU · ppt
  - TDS: mg/l
- Decimal places fixed specification, depending on the units and measuring range
  - m: 3 or 2; cm: 1 or 0; feet: 2 or 1; inch: 1 or 0
  - bar: 4 or 3; psi: 3 or 2
  - °C: 2 or 1, °F: 2 or 1
  - mS/cm: 3 or 2; µS/cm: 3
  - PSU: 2; ppt: 2
  - mg/l: 2
- ▶ Depth to water – set newly  
Water level – set newly
  - For the "Water level · depth" measurement type:  Enter contact gauge value
  - For the "Water level · level" measurement type:  Enter staff gauge value (reference to level zero)
- ▶ Pressure value – set newly
- ▶ Sample interval
  - For the "Pressure" measurement type:  Enter reference pressure
  - 5 s ... 24 h: time delay at which the OTT ecoLog 800 (3G) records measured values and stores them (store only, if sample interval = mean interval). The sample interval is set to a fixed time pattern (e.g. sample interval of 10 minutes, time pattern ..., 00:10, 00:20, 00:30, ...)
- ▶ Storage interval
  - 5 s ... 24 h: time period for which the OTT ecoLog 800 (3G) calculates an arithmetic mean from the sample interval values and stores it. The storage interval must be equal to or larger than the sample interval. The sample interval must be contained in the storage interval as an integer number (e.g. sample interval: 10 minutes; storage interval: 1 hour → Every hour, the OTT ecoLog 800 (3G) stores an arithmetic mean from 6 sample interval values).
- ▶ Authorize Roaming
  - Allows the cellular modem to book into other, external cellular networks (not only into the cellular network specified by the SIM card). This might be of importance in regions that are located close to a border, in which a foreign cellular network may have better coverage but is more expensive.
- ▶ SMS data transmission active
  - Refer to "Setting up the cyclic data transmission via SMS".
- ▶ GPRS data transmission active  
GPRS/3G data transmission active
  - Refer to "Setting up the cyclic data transmission via GPRS(/3G)"; 3G data transmission (UMTS/HSPA+) is only available with the OTT ecoLog 800 3G
- ▶ Store GSM Signal strength
  - Stores the GSM signal strength in a separate channel. The sample interval in this channel is 24 hours (factory setting: Storage delta = 1); irrespective of this, the OTT ecoLog 800 (3G) saves 1 value per day in any case.

## Additional settings for conductivity, salinity and TDS

- ▶ Temperature compensation (Conductivity)
  - the mathematical algorithm on which the calculation of the specific conductivity at a defined reference temperature is based. Possibilities: "Freshwater"; "Saltwater"; "Standard method 2510"; "ISO 7888/EN 27888"; "---" (none). For the "Standard method 2510", the reference temperature can be selected: 20 °C or 25 °C.
- ▶ Calculation method (Salinity)
  - the mathematical algorithm on which the calculation of the salinity is based. Possibilities: "Standard method"; "USGS 2311". With the calculation method USGS 2311, the unit is "ppt"; with the standard method the unit "PSU" is fixed.
- ▶ Store salinity  
Store TDS
  - With the check box activated, the datalogger saves the values. With the check box deactivated, the instantaneous values are still visible in the observer window.

## Other displays in the "Basic operation" window

- |                             |   |
|-----------------------------|---|
| ▶ Measuring range           | Measuring range of the pressure probe, refer to Fig. 1.   |
| ▶ System length             | Cable length including communication unit/pressure probe, refer to Fig. 1.  |
| ▶ Date/time                 | Internal date/time of the OTT ecoLog 800 (3G).  |
| ▶ Battery lifetime (button) | The operating program calculates the approximate life of the different battery types based on the settings made (at -20 and +20 °C ambient temperature in each case). |

Detailed information on the "Advanced operation" function can be found in the online help.

## Factory settings

### OTT ecoLog 800 (3G)

▶ Site number	OTT ecoLog 800 (3G) serial number		
▶ Site name	ecoLog 800 1		
	<b>Water level/Pressure</b>	<b>Temperature</b>	
▶ Parameter number	0001	0002	
▶ Measurement type	Water level · depth		
▶ Unit	m	°C	
▶ Decimal places	2	2	
▶ Sample interval	1 h	1 h	
▶ Storage interval	1 h	1 h	
	<b>Conductivity</b>	<b>Salinity</b>	<b>TDS</b>
▶ Number	0004	0005	0006
▶ Name	Specific Conductivity	Salinity	TDS
▶ Unit	mS/cm	PSU	mg/l
▶ Decimal places	2		
▶ Measuring range	0.10 ... 100.00 mS/cm	2 ... 42.00 PSU	
▶ Temperature compensation	Fresh water		
▶ Calculation method	Standard method		
▶ Sample interval	1 h	1 h	1 h
▶ Storage interval	1 h	1 h	1 h
▶ Modem connected	Enabled		
▶ Authorize roaming	Disabled		
▶ SMS data transmission active	Disabled		
▶ GPRS(/3G) data transfer active	Disabled		
▶ Store GSM signal strength	Disabled		

In addition, the OTT ecoLog 800 (3G) records the supply voltage at a sample and storage interval of 1 hour (refer to online help).

## 9.5 Saving/loading an OTT ecoLog 800 (3G) configuration

The "Load from PC" and "Save to PC" functions are designed to archive the OTT ecoLog 800 (3G) configuration on a PC. For example, you may configure multiple OTT ecoLog 800 (3G) units using the same configuration. Additionally, the "Load from PC" and "Save to PC" functions are required when using the "SMS command" function (refer to online help).

### How to save a configuration

- From the "File" menu, select the "Save configuration" function (or use the button) → The operating program saves the configuration under the name and number of the OTT ecoLog 800 (3G). When changes are made to a configuration that has already been saved, confirm by clicking "Yes" in the window "Warning. This configuration name already exists! Replace?" (otherwise, save the configuration under another station number).

### How to load a configuration

- From the "File" menu, select the "Load configuration" function (or use the button).
- For an already opened configuration, confirm "Ignore changes?" message by clicking "Yes" (if necessary, save configuration in advance).
- In the "Stored OTT ecoLog 800 (3G) configurations" window, select the configuration by double-clicking it → The operating program loads the configuration.

## 9.6 Importing/exporting an OTT ecoLog 800 (3G) configuration

To transfer an OTT ecoLog 800 (3G) configuration e.g. via USB flash drive or e-mail, the Import/Export functions are available. Similarly, a configuration can be sent via the Export function as an XML file to the OTT Hydras 3 user software. During this process, the OTT Hydras 3 user software creates the entire station/sensor configurations in an OTT Hydras 3 operating range.

### Available export/import formats

- ▶ Export ("BIN" file)
- ▶ Export to a text file
- ▶ Export for the OTT Hydras 3 user software
- ▶ Import ("BIN" file)

The operating program stores all the necessary data of a configuration in a single "\*.BIN", "\*.TXT" or "\*.XML" file, depending on the export type.

### How to export a configuration (\*.BIN file)

This export type is required to transfer an OTT ecoLog 800 (3G) configuration as a "\*.BIN" file. Using the "Import configuration" function, the configuration can be read back into the operating program.

- From the "File" menu, select the "Export configuration" function.
- In the "OTT ecoLog 800 (3G) – export configuration" window, edit the file name, if necessary, select the storage location, and click "Store" → The operating program saves the configuration in a "\*.BIN" file.

### Note

- ▶ The file name of the "\*.BIN" file is arbitrary. The operating program suggests a combination of station number and station name.



### How to export a configuration (text file)

This export type is required to transfer an OTT ecoLog 800 (3G) configuration for documentation purposes as a "\*.TXT" file. This "\*.TXT" file can be opened by means of any text editor or word processing program.

- From the "File" menu, select the "Export text file" function.
- In the "OTT ecoLog 800 (3G) – configuration" window, edit the file name, if necessary, select the storage location, and click "Store" → The operating program saves the configuration in a "\*.TXT" file.

#### Note

- ▶ The file name of the "\*.TXT" file is arbitrary. The operating program suggests a combination of station number and station name.

### How to export a configuration (OTT Hydras 3)

This export type is required to transfer an OTT ecoLog 800 (3G) configuration to the OTT Hydras 3 user software. This "\*.XML" file is read in via the Hydras 3 function "File", "Import Station Configuration (XML)".

- From the "File" menu, select the "Export Hydras 3 (XML)" function.
- In the "OTT ecoLog 800 (3G) – XML configuration" window, check the file name, select the storage location, and click "Store" → The operating program saves the configuration in a "\*.XML" file.

#### Note

- ▶ The file name of the "\*.XML" file is arbitrary. To avoid affecting later data transfer, it should not be changed. The operating program proposes a combination of station number and station name along with the ending "\*.STATION.XML".

### How to import a configuration

- From the "File" menu, select the "Import configuration" function.
- For an already opened configuration, confirm "Ignore changes?" message by clicking "Yes" (if necessary, save configuration in advance).
- In the "OTT ecoLog 800 (3G) configuration import" window, select the appropriate "\*.BIN" file and click "Open" → The operating program reads in the configuration from the \*.BIN" file. (Prior to this, save any configuration that is already open).

#### Note

- ▶ The factory default configuration is found on the "OTT Water Logger Software" CD-ROM.

## 10 Determining and displaying instantaneous values (Observer function)

For determining and displaying instantaneous values, the operating program includes a so-called "Observer". The Observer also allows a manually determined measured value, e.g. contact gauge value, to be entered into the datalogger (Observer registration).

Various options can be set concerning the observer:

- ▶ Options in the start window of the operating program:
  - Directly and exclusively opening the Observer, or
  - Opening of a window to set the operating parameters
- ▶ Effect of an optionally entered Observer registration (pressure sensor):
  - The Observer registration is only used as a check value or
  - the Observer registration leads to a value change (set offset)
- ▶ Suppress the display of the instantaneous value (pressure sensor) prior to entering an observer registration.

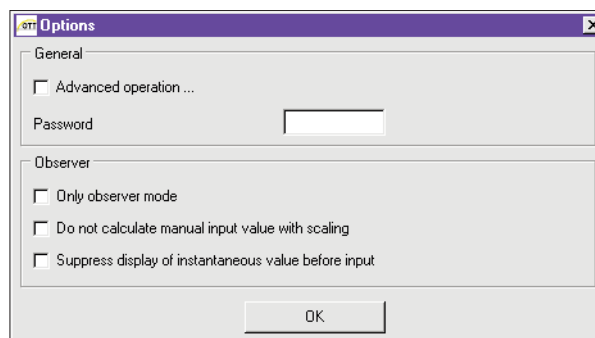
As an alternative to the following procedure, you may use a cellular phone to show instantaneous values by SMS messages or to make observer entries. This requires the "SMS info" feature to be enabled and set up. For more information, please refer to online help in the operating program.

### How to set the Observer options

- Start the operating program.
- From the "File " menu, select the "Options" function. (If the option dialog cannot be called, a password must first be entered. Refer to Chapter 12.)
- Enable the checkbox(es) of the required Observer option(s):
  - Only observer mode
  - Do not calculate manual input value with scaling (only check value/no value change);
  - Suppress display of instantaneous value before input;
- Click the "OK" button.

Fig. 18: Input window to establish options for the observer.

For further information on protecting the operating program by means of a password refer to Chapter 14.



The combination of "Only observer mode" and a password protects the operating program against unauthorized input of operating parameters.

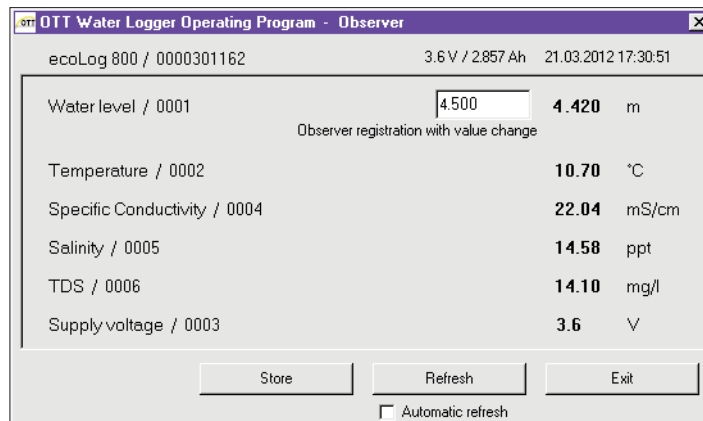
The "Advanced operation..." option displays an additional button in the window for setting the operating parameters.

## How to open the Observer function

- Start the operating program.
- Establish the PC/OTT ecoLog 800 (3G) communication link, refer to Chapters 9.2 or 9.3.
- Depending on the option set: In the start window of the operating program, either select "View Instantaneous values" or "Setup device" and in the subsequent window, select the "View Instantaneous values" function in the "OTT ecoLog 800 (3G)" menu → The OTT ecoLog 800 (3G) starts an instantaneous value measurement and the "Observer" window opens:

Fig. 19: Display/input window "OTT Water Logger Operating Program – Observer".

The window displays the current instantaneous value for all measurements. Furthermore, the window displays the sensor number/name, the current battery voltage, the amount of power used from the batteries up to now, and the date and time.



- If necessary: Input Observer registration into the entry field of the pressure sensor and click on the "Store" button.
- If necessary: Start new instantaneous value measurement: click on the "Refresh" button (" Automatic refresh" starts an instantaneous value measurement every 5 seconds).
- Exiting the Observer: Click the "Exit" button and close the operating program.

## Notes

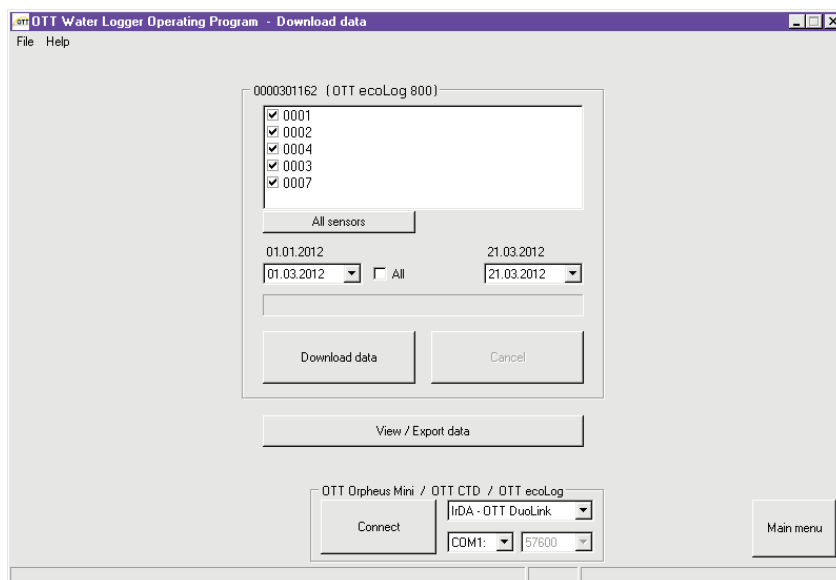
- ▶ The OTT ecoLog 800 (3G) stores each call of the Observer function in an info channel with date and time. After reading in and accepting into the OTT Hydras 3 user software, this information can be displayed in the evaluation window of a sensor using the "Info Data" > "Station" > "Displays" function ("Observer registration general"). Similarly, they are visible via the "View data" > "Table" function of the operating program.
- ▶ If the " Do not calculate manual input value with scaling" check box in the "Options" window is enabled, the OTT ecoLog 800 (3G) also saves the input check value as well as the current instantaneous value. After reading in and accepting into the OTT Hydras 3 user software, this information can be displayed in the evaluation window of a sensor using the "Info Data" > "Sensor" > "Displays" function ("Observer registration with check value). Similarly, they are visible via the "View data" > "Table" function of the operating program.

## 11 Reading data

### How to read data (on site)

- Start the operating program.
- Establish the PC/OTT ecoLog 800 (3G) communication link, refer to Chapters 9.2 or 9.3.
- Press the "Download data" button in the start window → The operating program displays the available sensors and the possible period for downloading in the "Download data" window. If these values are not visible: Press the "Connect" button.
- Select the desired sensors or "All sensors".
- Select the desired read period or "All". (The row above the entry field shows the complete time period for which there are data.)
- Click the "Connect" button → The operating program copies the measured values from the OTT ecoLog 800 (3G) to the PC. The data is then available in the raw data directory of the operating program.
- If necessary: Change to the "View / Export data" function to display/export measured values and/or to export to another software application.
- Click the "Main menu" button.

Fig. 20: Downloading data.



### Possible alternatives for downloads:

#### ► Using the operating program and a cellular network (OTT ecoLog 800)

In conjunction with a modem connected to the PC, a communication link may be established via a cellular network (read data remotely), refer to online help.

**Note:** A remote communication connection can only be established with the OTT ecoLog 800 (not the OTT ecoLog 800 3G)!

#### ► Using the "OTT Hydras 3 (Basic)" application software

From the tree, select the desired station by double clicking it. In the following window, make the necessary settings and click the "Start" button. For further information, see the online help for the OTT Hydras 3 (Basic).

## 12 Exporting data

After downloading to the operating program, the measured value and information data can be found in the "RAWDATA" sub-directory of the program directory (default setting: "C:\Program files\OTT\OrpheusMini\_CTD\RAWDATA"). To transfer to an external application, you may export the data in various formats:

- ▶ CSV – Structured text file in CSV format (Comma-Separated Values);
- ▶ Excel – Microsoft Excel spreadsheet program;
- ▶ OTT Hydras 3 – Raw data format for the OTT Hydras 3 user software;
- ▶ OTT MIS – OTT-specific file format for automatically importing into the measurement database of the OTT Hydras 3 user software.

Using the "Export options" dialog window, you may set the location for saving and, for the CSV format, various export parameters. The data will remain available in the sub-directory after export. If required, you may explicitly delete it.

Info data can only be exported to the OTT Hydras 3 user software.

### How to export the data

#### Step 1 – Make export settings:

- Click the "View / Export data" button in the start window.
- In the "View / Export data" window, click the "Export options" button (refer to Fig. 21).
- Set the path to the location of the required export format (default setting: "C:\Program files\OTT\OrpheusMini\_CTD\Export"). No path can be set for the Excel format: The operating program automatically opens Microsoft Excel during export and displays the data in a new workbook. For the "Hydras 3" format, the "?" button can be used to automatically find the installation directory of OTT Hydras 3.
- For the "CSV" format: set "Field separator", "Dec. separator", "Date format", and "Time format". For the date and time formats, the typical Windows placeholders may be used.

#### Step 2 – Export data:

- From the list, select the desired station/sensor (multiple selections possible).
- Click the "Export ..." button.
- Confirm the message about successful export by clicking "OK".
- If required, delete the exported data: Click the "Delete" button. (Station/sensor must still be selected.)
- Confirm the message by clicking "Yes".

## 13 Displaying data

After downloading to the operating program, the measured value and information data can be found in the "RAWDATA" sub-directory of the program directory (default setting: "C:\Program files\OTT\OrpheusMini\_CTD\RAWDATA"). For an initial check, you may display the data graphically and numerically and print them, if required.

### How to display data graphically

- Click the "View / Export data" button in the start window.
- From the list, select the desired station/sensor (multiple selections possible - a maximum of 6 will be displayed; info data can only be displayed numerically).
- Click the "Graphic" button → The operating program displays the window presenting the graphical view of the selected data;
  - Show ruler: "F12" function key. Move ruler: Arrow keys ← →.
  - Zoom in: Use the mouse to drag the desired area.
  - Zoom out: "F12" function key.
- Print graphic: From the "File" menu, select the "Print" function.
- Close graphic: From the "File" menu, select the "Exit" function (or ).

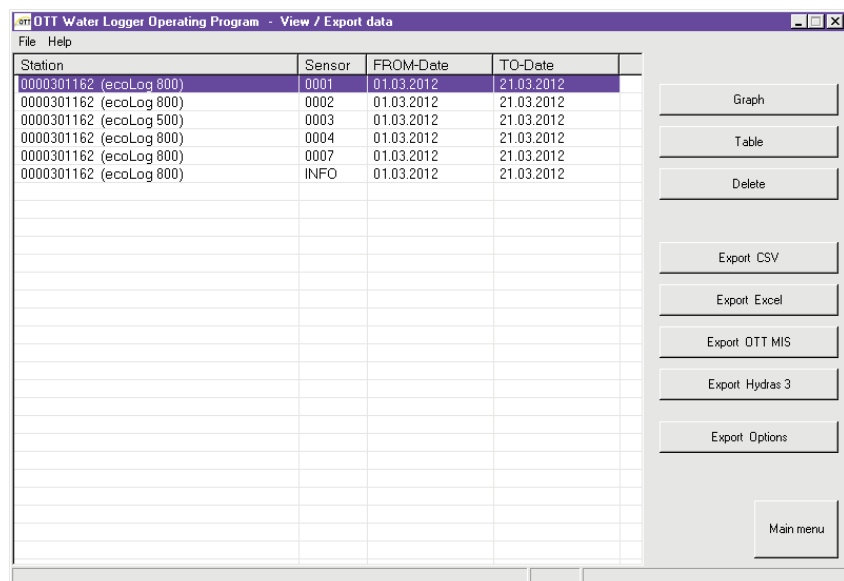
### How to display data numerically

- Click the "View / Export data" button in the start window.
- From the list, select the desired station/sensor (multiple selections possible, a maximum of 6 will be displayed).
- Click on the "Table" button → the operating program displays the window with the numerical view of the data in the OTT data protocol;
  - Only display measured values: select "Values".
  - Highlight special areas (only with information data): Select "Observer & operation", "Alarm & limit", "Communication & faults", "Faults & service log".
- Printing the numerical display: From the "File" menu, select the "Print" function.
- Closing the numerical display: Select the "Exit" button (or ).

### How to delete data

- From the list, select the desired station/sensor (multiple selections possible).
- Click the "Delete" button.
- Confirm the message by clicking "Yes".

Fig. 21: Viewing/exporting data.



## 14 Protecting the OTT ecoLog 800 (3G) unit and the OTT Water Logger Operating Program using a password

To prevent unauthorized input of operating parameters, you may protect

- ▶ the OTT ecoLog 800 (3G) unit and
- ▶ the operating program:

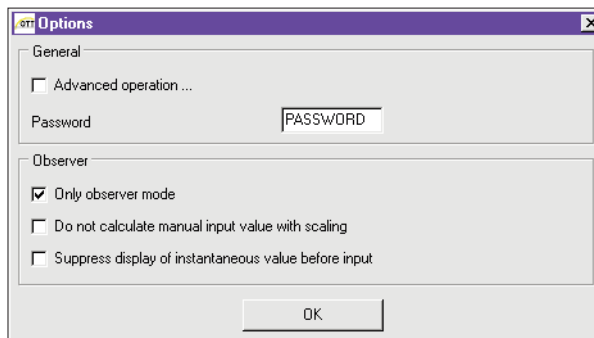
using a separate password for each.

### How to protect the operating program using a password

- Start the operating program.
- From the "File" menu, select the "Options" function.
- Enter an eight-digit (max.) password into the "Password" input box. Allowed characters 0 ... 9, A ... Z. (This password is independent of the OTT ecoLog 800 (3G) password.)
- Enable the "Only observer mode" check box.
- Click the "OK" button.
- Close the operating program → The operating program is now protected: The "Setup device" button in the start window is no longer visible.

Fig. 22: Protecting the operating program by means of a password – Input window for defining a password.

A password protected operating program is reasonable only if the operating program starts in Observer mode ("Only observer mode" check box enabled)!



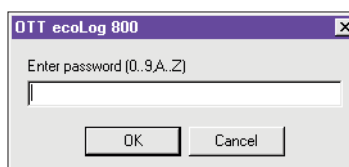
### Please note:

- ▶ If the password is lost, you can no longer configure or parameterize the OTT ecoLog 800 (3G) on this PC. If this occurs contact OTT HydroService.
- ▶ The password assigned here only applies to the operating program installed on this PC. The OTT ecoLog 800 (3G) unit is not protected by this password!

### How to unlock a password-protected operating program

- Start the operating program.
- From the "File" menu, select the "Options" function.
- Enter the password into the "OTT ecoLog 800 (3G)" window.

Fig. 23: Unlocking the operating program – Password input window.

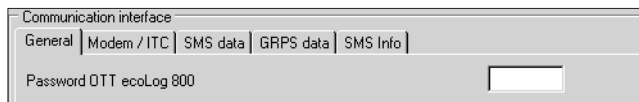


- Click the "OK" button.
- Disable the "Only observer mode" check box.
- Remove the entry from the "Password" input box.
- Click the "OK" button → The operating program is no longer password protected.

### How to protect the OTT ecoLog 800 (3G) using a password

- Start the operating program.
- Establish the PC/OTT ecoLog 800 (3G) communication link, refer to Chapters 9.2 or 9.3.
- Click the "Setup device" button in the start window.
- Click the "Advanced operation ..." button.  
(Button not visible? → Enable the "Advanced operation ..." check box in the "Options" function in the "File" menu.)
- Click the "Connect" button.
- From the tree view, select "Communication Interface".
- Enter a password of maximum eight characters into the "OTT ecoLog 800 (3G) password" input box. Allowed characters 0 ... 9, A ... Z. (This password is independent of the operating program password.)
- Click the "Save to device" button.
- Warning: "Reset OTT ecoLog 800 (3G) and delete data memory additionally?" Confirm by clicking "No" → The OTT ecoLog 800 (3G) is now protected against unauthorized operation.

Fig. 24: Protecting the OTT ecoLog 800 (3G) by means of a password – Input window for defining a password.

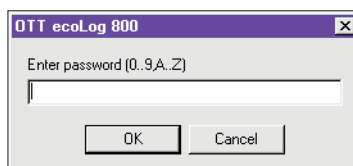


**Please note:** If the password is lost, you can no longer configure or parameterize the OTT ecoLog 800 (3G). If this occurs contact OTT HydroService.

### How to unlock a password-protected OTT ecoLog 800 (3G)

- Start the operating program.
- Establish the PC/OTT ecoLog 800 (3G) communication link, refer to Chapters 9.2 or 9.3.
- Click the "Setup device" button in the start window.
- From the "OTT ecoLog 800 (3G)" menu, select the "Enter password" function.
- Enter password.
- Click the "OK" button.
- Confirm the "Password accepted! OTT ecoLog 800 (3G) unlocked" message by clicking "OK".
- Click the "Connect" button → The operating program downloads the current OTT ecoLog 800 (3G) operating parameters.

Fig. 25: Unlocking the OTT ecoLog 800 (3G) – Password input window.





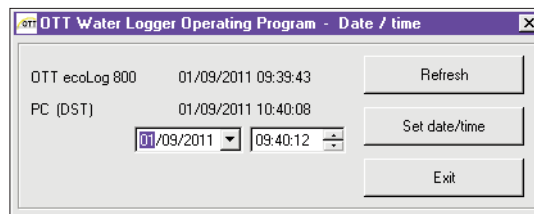
## 15 Setting date and time

The internal clock of the OTT ecoLog 800 (3G) is a high-accuracy realtime-clock. It runs as soon as batteries are installed in the OTT ecoLog 800 (3G). After the batteries are removed, the clock will continue to run for approximately 10 minutes. After a longer period of power loss, the OTT ecoLog 800 (3G) will lose the date and time. When batteries are reinstalled, the OTT ecoLog 800 (3G) adopts the date and time of the last stored measured value, with one minute added to the stored time. The date and time are set using the operating program.

### How to set the date and time

- Start the operating program.
- Establish the PC/OTT ecoLog 800 (3G) communication link, refer to Chapters 9.2 or 9.3.
- Click the "Setup device" button in the start window.
- Select the "Date/time" function in the "OTT ecoLog 800 (3G)" menu → The operating program reads the date and time from the OTT ecoLog 800 (3G) and opens the "OTT ecoLog 800 (3G) – date/time" window.

Fig. 26: Setting the OTT ecoLog 800 (3G) date and time.



- If necessary: click the "Refresh" button → The OTT ecoLog 800 (3G) reads the date and time again.
- If necessary: Adjust the desired values in the two input fields.
- Click the "Set date/time" button → The operating program sets the OTT ecoLog 800 (3G) date and time to the PC time/date or to the values set.
- Click the "Exit" button.



**Please note:** If the PC is in Daylight Saving Time (ID: PC (DST)), the operating program automatically uses the standard time without DST correction. To obtain continuous time series, it is a good idea not to use Daylight Saving Time in the OTT ecoLog 800 (3G).

In connection with a GPRS(/3G) remote data transfer and the "Time synchronization" function, it is necessary to reference the time to UTC/GMT and to set the time zone of the station in the "Advanced operation", "OTT ecoLog 800 (3G)" window, refer to online help.

### Note

- ▶ When the unit is put back into service, it may be appropriate to erase the data memory after having set date and time, refer to Chapter 16.

## 16 Erasing the data memory



**Please note:** After erasing the data memory, the measured values stored in the OTT ecoLog 800 (3G) are permanently lost! If necessary download measured values before erasing!

### How to erase the data memory

- Start the operating program.
- Establish the PC/OTT ecoLog 800 (3G) communication link, refer to Chapters 9.2 or 9.3.
- Click the "Setup device" button in the start window.
- Select the "Delete data memory" function in the "OTT ecoLog 800 (3G)" menu.
- Acknowledge the "Are you sure you want to delete data memory?" warning by clicking "Yes" → The operating program erases the complete data memory of the OTT ecoLog 800 (3G) (all measurement channels including the info channel). The OTT ecoLog 800 (3G) then determines and stores the water level, the water temperature and the specific conductivity again using the sample interval settings set.

## 17 Updating the OTT ecoLog 800 (3G) firmware

If required, you have the option of updating the OTT ecoLog 800 (3G) firmware (operating system software). This makes sense, if e.g. devices delivered at different times are to receive the same operating system version. Updating is carried out via the operating program. According to availability, an updated version of the OTT ecoLog 800 (3G) firmware can be found on the internet site "[www.ott.com](http://www.ott.com)" in the "myOTT" area.

### How to update the firmware

- Download the new version of the firmware (File: e.g. "spl31m\_V2.00.0.bin" or "5544930293\_01000\_ec800NG.bin") from the internet site.
- Move the file "spl21m\_VX.XX.X.bin" or "5544930293\_XXXXX\_ec800NG.bin" to the directory, in which the operating program is located.
- Establish the PC/OTT ecoLog 800 (3G) communication link, refer to Chapters 9.2 or 9.3.
- From the "OTT ecoLog 800 (3G)" menu, select the "Firmware update" function.
- Confirm message by clicking "Yes" → The operating program copies the new firmware to the OTT ecoLog 800 (3G). The OTT ecoLog 800 (3G) then determines and stores the water level, the water temperature and the specific conductivity again using the sample interval settings set.



**Please note:** During updating process, avoid breaking the communication link (e.g. by accidentally removing the OTT DuoLink from the infrared interface of the OTT ecoLog 800 (3G)). If the communication link is aborted, the firmware will no longer be executable! Similarly, no other programs should be started or files opened during the copying process!

### Notes

- ▶ If there are multiple ".bin" files in the directory you will have to select the required file manually.
- ▶ The measurements saved in the OTT ecoLog 800 (3G) are not lost after an update.

## 18 Maintenance work

### 18.1 Cleaning the pressure probe

Recommended interval: Every 12 months

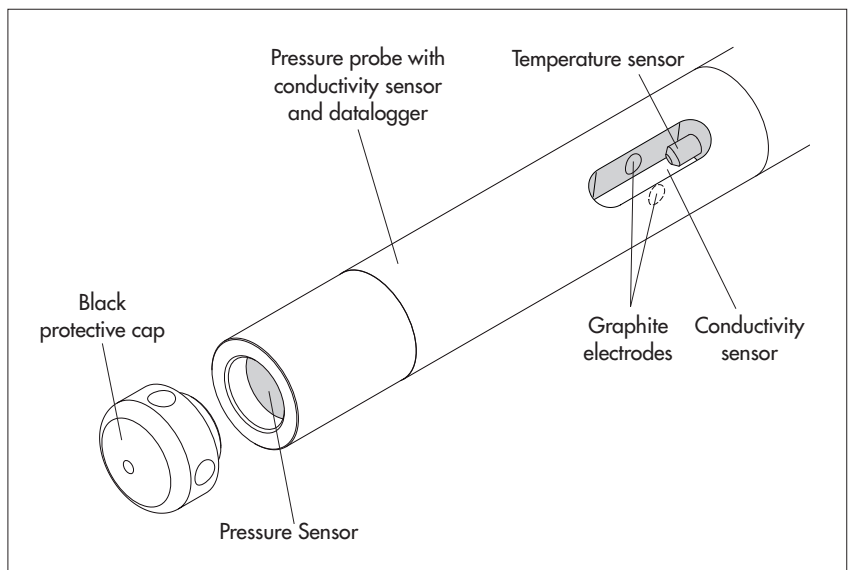
In case of difficult local measuring conditions (heavy deposits): as required every 4 to 6 months.

(Measurements that are inaccurate or not plausible indicate a contaminated pressure sensor.)

#### How to clean the pressure probe

- Open the top cap/observation well cover.
- Completely remove the OTT ecoLog 800 (3G) from the observation well.
- Remove the black protective cap.
- Clean the pressure sensor carefully using a brush and water. Clean graphite electrodes and temperature sensors for the conductivity sensor with soapy water and cotton buds. Lime scale deposits can be removed using a common household scale remover. Make sure to follow the use and safety instructions for the scale remover!
- Rinse the pressure probe **thoroughly** with clear water!
- Reattach the black protective cap.
- Recommendation: Calibrate the conductivity sensor (see Chapter 18.4).
- Reinstall the OTT ecoLog 800 (3G), refer to Chapter 8.
- Determine current reference value by means of a contact gauge and enter it, refer to Chapters 9.4 or 10.
- Close the top cap/observation well cover.

Fig. 27: Cleaning the pressure probe.



## 18.2 Replacing the desiccant capsules

Recommended interval: Depending on the level of air humidity at the station, every 12 to 24 months and when replacing the batteries. There is a humidity indicator on the desiccant capsule. When this indicator changes its color from blue to pink the desiccant capsule has to be replaced, irrespective of the time elapsed.

Quantity: 2 (1x pressure compensation capillary, 1x communication unit).

### Notes

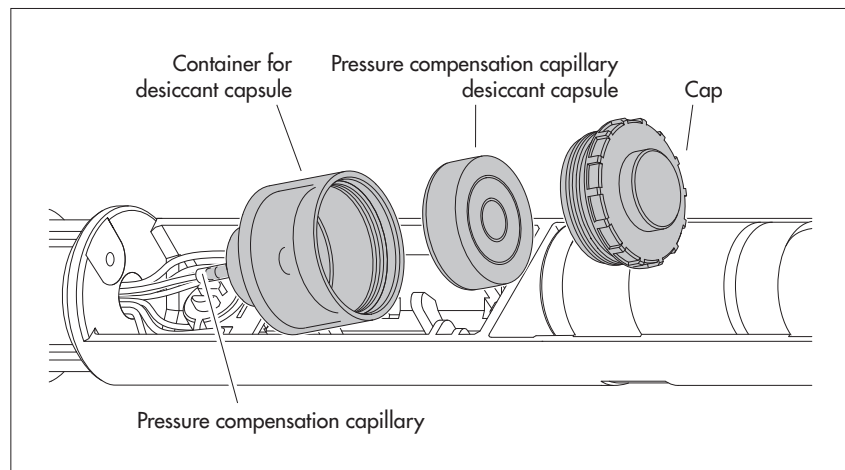
- ▶ Store the desiccant capsule only in its original packaging.
- ▶ Use only desiccant capsules that are fitted with a blue humidity indicator.

### How to replace the desiccant capsules

A) Desiccant capsule for pressure compensation capillary

- Open the top cap/observation well cover.
- Pull and hold the communication unit approximately 1 m out of the observation well (a second person would be useful).
- Remove the screw fitting from the communication unit.
- Slide the cap and pipe casing of the communication unit approx. 50 cm towards the pressure probe cable. (The rubber stop located on the pressure probe cable (refer to Fig. 2) prevents the pipe casing from falling.)
- Pull the desiccant capsule container of the pressure compensation capillary from the holder, as shown in Fig. 28.
- Remove the cap of the container by rotating it counter-clockwise.
- Remove the exhausted desiccant capsule.
- Install new desiccant capsule. Labeling must face towards pressure compensation capillary.
- Install the cap by rotating it clockwise.
- Reinsert the container into the holder.

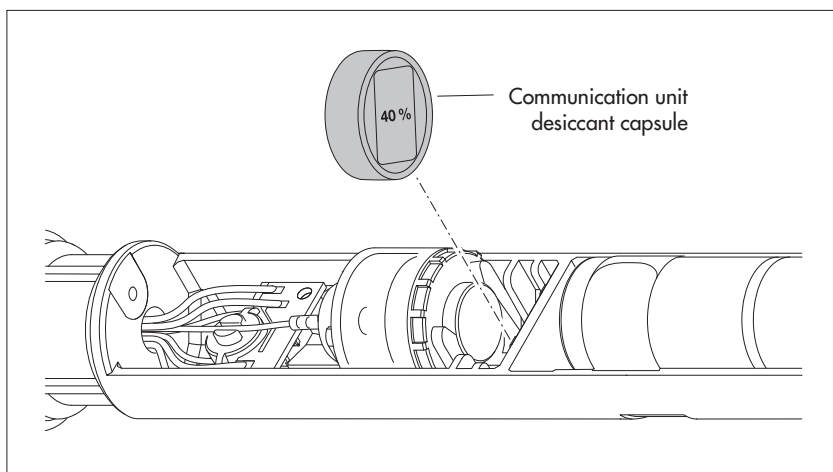
Fig. 28: Replacing the pressure probe desiccant capsule.



#### B) Desiccant capsule for communication unit

- Remove the exhausted desiccant capsule of the communication unit, as shown in Figure 29.
- Install new desiccant capsule.

Fig. 29: Replacing the communication unit desiccant capsule.



- Slide the pipe casing of the communication unit back up to the stop.  
**Please note:** Do not bend or pinch the battery lead.
- Reinstall the screw fitting to the communication unit.
- Slowly and carefully reinsert the communication unit into the observation well.
- Close the top cap/observation well cover.

### 18.3 Checking/replacing the batteries

Refer to Chapter 5

### 18.4 Calibrating the conductivity sensor

The goal of the calibration is to determine the so-called "cell constant" for the conductivity sensor. To do this, it is necessary to check the zero point and to carry out a conductivity measurement with a standardized calibration solution.

The cell constant – as well as the unchanging geometric measurements, the materials used and the construction of the conductivity sensor – takes account of the aging process of the electrodes.

- Recommended interval: every 12 months (after every cleaning)  
with difficult local measuring conditions (heavy deposits):  
as required every 4 to 6 months
- Required accessories: standardized calibration solution, calibration container  
(see Chapter 2, "Order numbers")

**Caution:** For an optimum calibration process, the OTT ecoLog 800 (3G) and the calibration solution must be at the surrounding temperature!

### How to calibrate the conductivity sensor

- Carefully clean the pressure probe and dry well (see Chapter 18.1).
- Start the operating program.
- Set up the PC/OTT ecoLog 800 (3G) communication link (see Chapter 9.2).
- Press the "Setup device" button. (Button not visible? → deactivate the "Only observer mode" check box in the "Options" function in the "File" menu and restart the operating program.)
- Select the "Calibrate conductivity sensor" function in the "OTT ecoLog 800 (3G)" menu.
- Press the "Start zero point test" button. The operating program starts an instantaneous value measurement and updates this every 5 to 6 seconds. If the measurement result displayed (blue triangle) is not in the green area → clean the conductivity sensor again and dry it well.
- Press the "End zero point test" button.
- Select the calibration solution used. Alternatively, select "Other ..." and enter the appropriate conductivity value.
- Add the calibration solution to the calibration container (filling height approx. 3/4).
- Place the OTT ecoLog 800 (3G) into the calibration container (screw-on cover in place) and tighten the screw-on cover by hand. **Caution:** There must not be any air bubbles in the slot of the conductivity sensor! If necessary, lightly shake the calibration container.
- Press the "Start calibration" button. The operating program starts the instantaneous value measurement again and continuously updates it.
- Wait until the values for conductivity and temperature do not change for several updates. The operating program displays the current and newly calculated cell constant. **Caution:** Temperature values shown in red → the conductivity sensor is not at the temperature of the calibration solution! New cell constant shown in red → the cell constant lies outside the valid range.
- Press the "End calibration" button.
- Confirm the resulting question: "Save new cell constant?":
  - cell constant is within the tolerance range → "No" (conductivity value is in the green area)
  - Cell constant is outside the tolerance range and within the valid range → "Yes" (conductivity value is in red area + current cell constant is shown in black)
- If the cell constant is outside the valid range → error message.
- Close the operating program.
- Rinse the pressure probe thoroughly with clear water!
- Reinstall OTT ecoLog 800 (3G) (see Chapter 8).
- Determine current reference value with a contact gauge and enter it (see Chapter 9.4 or 10).
- Close the top cap/observation well cover.
- Dispose of the used calibration solution!

### Notes

- ▶ Only use the calibration solution once!
- ▶ Always store the calibration solution in a closed container! (The carbon dioxide in the surrounding air and evaporation can change the conductivity value.)
- ▶ Avoid water entering the calibration solution! Always dry the calibration container carefully after calibration.
- ▶ Calibration solution can be disposed of in the normal public sewer system!
- ▶ The OTT ecoLog 800 (3G) saves the last three cell constants in a history (see "Advanced operation ...", channel "Conductivity").

## 19 Error messages

When faulty measurements or a malfunction occur, the OTT ecoLog 800 (3G) stores one of the following error messages in the data memory instead of a measured value.

- ▶ Err 00 Internal error (automated measurement)
- ▶ Err 01 Internal error (A/D conversion error)
- ▶ Err 03 Measuring range exceeded
- ▶ Err 05 An input value required for the measurement calculation is not in the valid range (example: the temperature value needed for the calculation of the salinity (standard method) is outside of the valid range :  $0\text{ °C} \leq t \leq 35.0\text{ °C}$ )
- ▶ Err 06 An input value for the measurement calculation is missing
- ▶ Err 10 Measured value (still) not recorded; „Err 10“ indicates measured values that are missing from the database and that
  - have not yet been recorded, or
  - could not be determined due to a short-term, temporary fault (individual measured values). As these faults cannot be avoided in all cases due to technical reasons, they may also occur occasionally during regular operation.

Internal errors indicate a device fault, if they occur repeatedly.

## 20 Troubleshooting/remedy

### No communication possible (operating program/OTT ecoLog 800 (3G))

- ▶ Password programmed?
  - Enter correct password.
- ▶ Batteries installed?
  - Install batteries.
- ▶ Alkaline batteries (only OTT ecoLog 800): Battery voltage lower than approx. 1.9 V
  - Replace the batteries.
- ▶ Lithium battery: Battery exhausted?
  - Replace the battery.
- ▶ Pressure probe cable damaged?
  - Send OTT ecoLog 800 (3G) to factory for repair.
- ▶ Infrared interface dirty?
  - Clean the infrared interface carefully using a damp, soft cloth.
- ▶ Setting measured value not possible?
  - Scaling module missing. Check configuration<sup>1)</sup>  
(for advanced operation, refer to online help).

### Communication starts and then aborts.

- ▶ Alkaline batteries (only OTT ecoLog 800): Battery voltage lower than approx. 1.9 V
  - Replace the batteries.
- ▶ Lithium battery: Battery exhausted?
  - Replace the battery.
  - Check pressure sensor for contamination. Clean as necessary.

<sup>1)</sup> The default factory configuration is located on the "OTT Water Logger Software" CD-ROM

### Faulty measured values

- ▶ Temperature values faulty
  - Check configuration<sup>1)</sup> (for advanced operation, refer to online help).
- ▶ Pressure sensor values faulty
  - Check configuration<sup>1)</sup> (for advanced operation, refer to online help).
  - Check the pressure compensation capillary in the communication unit (blocked?). Clean as necessary.
- ▶ Conductivity values erroneous
  - check configuration<sup>1)</sup> (for advanced operation, see online help).
  - check conductivity sensor for contamination. If necessary, clean and then recalibrate
- ▶ Calculated salinity values erroneous (Err 05)
  - check configuration<sup>1)</sup> (for advanced operation, see online help).
  - input value is outside valid range:
    - salinity by standard method  
1.0 °C ≤ t ≤ 35.0 °C for salinity 2.0 PSU ≤ salinity ≤ 42.0 PSU
    - Salinity by "USGS 2311" method  
0 °C ≤ t ≤ 30.0 °C for salinity 2.0 ppt ≤ salinity ≤ 60.0 ppt
- ▶ Observer does not display calculated salinity values
  - values lie outside the valid range:
    - salinity according to standard method  
2.0 PSU ≤ salinity ≤ 42.0 PSU
    - salinity according to "USGS 2311" method  
2.0 ppt ≤ salinity ≤ 60.0 ppt

### No measured values in database

- ▶ Configuration incorrect?
  - Check configuration<sup>1)</sup> (for advanced operation, refer to online help).
- ▶ Alkaline batteries (only OTT ecoLog 800): Battery voltage lower than approx. 1.9 V
  - Replace the batteries.
- ▶ Lithium battery: Battery exhausted?
  - Replace the battery.

### Communication through cellular network not possible/ not successful

- ▶ No transmission parameters (operator, etc) configured
  - Check the operating parameters entered, refer to Chapter 9.4.
- ▶ A remote communication connection cannot be established with the OTT ecoLog 800 3G
  - this is not a malfunction. In a 3G cellular network (UMTS/HSPA+), this is no longer possible for technical reasons. The circuit-switched service required for this purpose, i.e. CSD (Circuit Switched Data) is no longer available in 3G cellular networks.
- ▶ Alkaline batteries (only OTT ecoLog 800): Battery voltage lower than approx. 1.9 V
  - Replace the batteries.
- ▶ Lithium battery: Battery exhausted?
  - Replace the batteries.
- ▶ SIM card missing
  - Insert the SIM card, refer to Chapter 6.
- ▶ Incorrect PIN
  - Check PIN, refer to Chapter 9.4.
- ▶ GSM signal too low
  - Check whether an external radio antenna should be used, refer to Chapter 7.
- ▶ No measured values present (by transmitting data)
  - Wait for the next data interval.

\* The default factory configuration is located on the "OTT Water Logger Software" CD-ROM.



## 21 Repair

- In case of a device malfunction, use Chapter 20, Troubleshooting/remedy to see if you can resolve the problem yourself.
- In case of device failure, please contact the OTT repair center (or alternatively your local OTT sales representative):

OTT Hydromet GmbH  
Repaircenter  
Ludwigstraße 16  
87437 Kempten · Germany  
Phone +49 831 5617-433  
Fax +49 831 5617-439  
repair@ott.com

**Please note:** Have a faulty OTT ecoLog 800 (3G) checked and repaired only by the OTT repair center. Never attempt to repair the unit yourself! Any repairs or attempted repairs carried out by the customer will void any warranty.

## 22 Notes about the disposal of old units



### Within the member countries of the European Union

In accordance with the European Union guideline 2002/96/EC, OTT takes back old devices within the member countries of the European Union and disposes of them in an appropriate way. The devices concerned by this are marked with the symbol shown aside.

- For further information on the return procedure, please contact your local sales contact. You will find the addresses of all sales partners in the internet on "www.ott.com". Please take into consideration also the national implementation of the EU guideline 2002/96/EC of your country.

### For all other countries

- After putting the unit out of service, properly dispose of the OTT ecoLog 800 (3G).
- Observe the regulations applicable in your country for the disposal of electronic devices.
- Never dispose of the OTT ecoLog 800 (3G) in the normal domestic waste.

### Materials used

Refer to Chapter 23, Technical data.

## 23 Technical data

### Water level

Measuring range	0 ... 4 m water column (0 ... 0.4 bar) 0 ... 10 m water column (0 ... 1 bar) 0 ... 20 m water column (0 ... 2 bar) 0 ... 40 m water column (0 ... 4 bar) 0 ... 100 m water column (0 ... 10 bar)
Resolution <sup>1)</sup>	0.001 m; 0.1 cm; 0.01 ft; 0.1 inch 0.0001 bar; 0.001 psi
Accuracy (linearity + hysteresis)	± 0.05 % full scale
Long-term stability (linearity + hysteresis)	± 0.1 %/a full scale
Zero	± 0.1 % full scale
Overload-resistant without permanent mechanical damage (Pressure sensor)	
0 ... 0.4 bar	4 bar
0 ... 1 bar	10 bar
0 ... 2 bar	15 bar
0 ... 4 bar	25 bar
0 ... 10 bar	40 bar
Units	m, ft, inch, bar, psi, pascal
Pressure sensor	ceramic; temperature-compensated
Temperature-compensated operating range	-5 °C ... +45 °C (ice free)

### Temperature

Measuring range	-25 °C ... +70 °C
Resolution	0.01 °C
Accuracy	±0.1 °C
Units	°C · °F
Power supply	Lithium battery, D type, 3.6 V / 13 Ah or Lithium battery, DD type, 3.6 V / 26 Ah or 2 x 1.5 V alkaline battery (C cell) <sup>2)</sup>

### Conductivity

Measuring ranges	0.001 ... 2.000 mS/cm 0.10 ... 100.00 mS/cm
Resolution	0.001 mS/cm 0.01 mS/cm
Accuracy	±0.5 % of measured value (at least ±0.001 mS/cm) ±1.5 % of measured value (at least ±0.01 mS/cm)
Units	mS/cm · µS/cm mS/cm

### Current consumption

Sleep mode	110 µA
Read (IrDA)	76 mA
Measuring operation	65 mA
Mobile communication active, receiving	13 mA
Mobile communication active, transmitting	160 mA
Lifetime (1 hour sample interval, one transfer per day)	
Lithium battery (26 Ah)	> 10 years minimum
Lithium battery (13 Ah)	> 5 years minimum
Alkaline batteries <sup>2)</sup>	> 1 year minimum (high quality battery types).
Clock	
Design	Real-time clock
Accuracy	±8 seconds/month (at +25 °C)
Buffer period for battery replacement	7 minutes max.

<sup>1)</sup> For value ranges ±32.750 m; ±3275.0 cm; ±327.50 ft; ±3275.0 inch; ±3.2750 bar; ±32.750 psi

<sup>2)</sup> for OTT ecoLog 800 (not suitable for OTT ecoLog 800 3G)

Interface	Infrared (IrDA)	
Cellular network modems/frequencies	GSM/GPRS 900/1800, 850/1900 MHz; GSM/GPRS; UMTS/HSPA+ 900/1800, 850/1900 MHz; 800/850, 900, AWS 1700, 1900, 2100 MHz 1.8 / 3 V	
OTT ecoLog 800	Mini-SIM (UICC; 2FF) Micro-SIM (Mini-UICC; 3FF)	
OTT ecoLog 800 3G	Built-in, robust and weather-proof; optional connection of an external antenna is possible (SMA connection); max. permitted antenna gain (incl. cable): max. 2.5 dBi. A minimum distance of 0.20 metres must be maintained between the radio antenna and people and between radio antenna and other electrical equipment/antennae!	
SIM card	-30 °C ... +85 °C	
OTT ecoLog 800	-40 °C ... +85 °C	
OTT ecoLog 800 3G	5 % ... 95 % (non-condensing)	
Radio antenna		
Temperature range, operating		
Temperature range, storage		
Air humidity		
<b>Data memory</b>		
Measurement memory	4 MB	
Number of measured values	Approx. 500,000	
Number of logical channels	6 + 1 info channel	
Physical channels (input signals)	Water level/pressure Temperature Conductivity Supply voltage GSM signal strength Minimum supply voltage during transmission via cellular network	
Sample interval	5 seconds ... 24 hours	
Storage interval (mean interval)	5 seconds ... 24 hours	
Individually configurable functions	<ul style="list-style-type: none"> <li>- Basic or advanced operation</li> <li>- 5 extended sample intervals with start/stop time indication, support for pumping tests</li> <li>- Selection of units</li> <li>- Number of decimal places</li> <li>- Pressure/level measurement or depth measurement</li> <li>- With consideration of the local gravitational acceleration</li> <li>- Compensate for water density using salinity and temperature</li> <li>- Temperature compensation for conductivity. Options: Freshwater; Saltwater; Standard method 2510 (reference temperature: 25 °C or 20 °C); ISO 7888 / EN 27888; none</li> <li>- Salinity (standard method or USGS 2311)</li> <li>- Display of instantaneous values with level monitoring function</li> <li>- Password protection</li> <li>- Measured value processing: Calculation of mean; delta storage; scaling function; extreme value storage; limit control of the sample interval</li> <li>- Virtual sensor/virtual terminal</li> <li>- Alarm management</li> <li>- Remote data transfer</li> </ul>	
<b>Mobile communications functions</b>		
SMS direct transmission	OTT ecoLog 800	OTT ecoLog 800 3G
SMS command	✓	✓
Data retrieval via direct connection	✓	✓
GSM/GPRS functions	✓	-
UMTS/HSPA+ functions	-	✓

## Mechanical Data

Can be installed in observation wells	
– Top caps with cut-out (OTT, HT)	2"
– With adapter plates for top caps With cut-out (OTT, HT)	3", 4", 6"
– With universal suspension brackets for top caps Without cut-out/universal installation	> 2"
Dimensions	
Communication unit (L x Ø)	520 mm x 50 mm
Pressure probe (L x Ø)	317 mm x 22 mm
System length (cable length including communication unit/pressure probe)	2 ... 200 m ±1 % ±5 cm
Weight	
Communication unit (incl. lithium batteries, DD type)	Approx. 0.920 kg
Pressure probe	Approx. 0.430 kg
Pressure probe cable	Approx. 0.082 kg/m
Material	
Pressure probe housing	POM, stainless steel 1.4539 (904 L)
Seals	Viton
Separating membrane	Al <sub>2</sub> O <sub>3</sub> ceramics (96 %)
Cable jacket	PUR
Communication unit housing	Aluminum, PA-GF
Conductivity sensor:	ABS, graphite (electrodes) and stainless steel 1.4539 (904L)
Type of protection	
Communication unit	IP 67 (submersion depth 1 m, submersion duration 30 min)
Pressure probe	IP 68
Desiccant	2 capsules (2.65 g silica gel), recommended replacement interval: Once per year

## Performance classification of the sensors according to DIN EN ISO 4373

Measurement reliability	Performance class 1
Temperature range	Temperature class 2
Relative air humidity	Class 1

## EU directives compliance

the OTT ecoLog 800 (3G) complies with the EU directives applicable at the time of production; for details, see Declaration of Conformity ([www.ott.com/resources](http://www.ott.com/resources))



FCC ID	
OTT ecoLog 800	R17T56KT1
OTT ecoLog 800 3G	R17HE910

## **Appendix A – Note on Declaration of Conformity**

If necessary, you can download the current version of the Declaration of Conformity for the OTT ecoLog 800 (3G) from our website as a PDF file: „[www.ott.com/resources](http://www.ott.com/resources)“!





Document number  
55.447.001.B.E 04-1016



**OTT** Hydromet GmbH

Ludwigstraße 16  
87437 Kempten · Germany  
Phone +49 831 5617-0  
Fax +49 831 5617-209

info@ott.com · www.ott.com